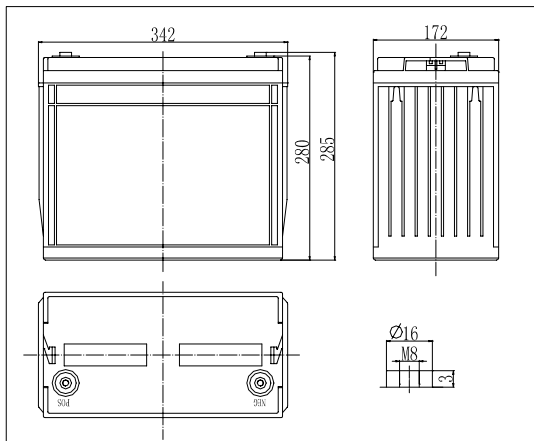


**Dimensions**

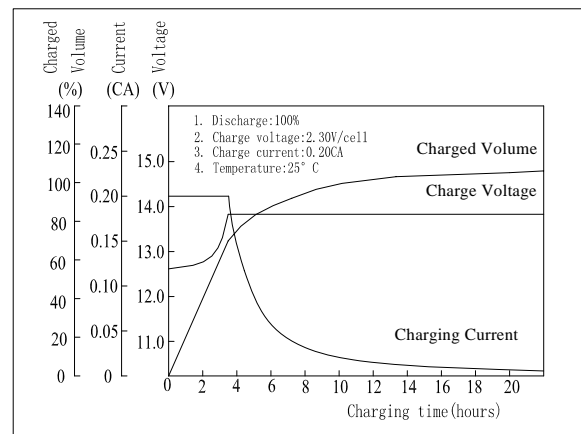


**Specifications**

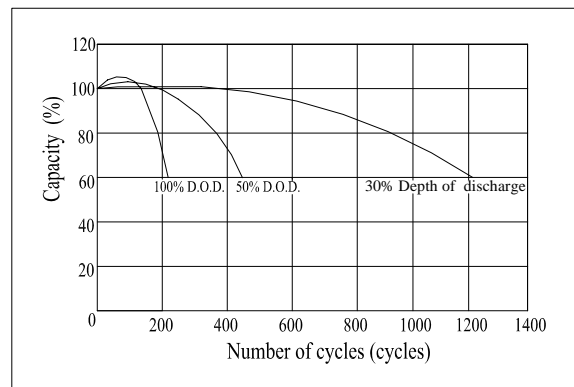
Nominal Voltage		12 V
Capacity(10HR, 25°C)		134 Ah
Dimension	Length	342mm (13.46inch)
	Width	172mm (6.77inch)
	Height	280mm (11.02inch)
	Total Height	285mm (11.22inch)
Approx. Weight		43kg (94.8lbs)
Internal resistance (Fully charged, 25°C)		Approx. 3.8m Ω
Capacity affected by temperature (10HR)	40°C	102%
	25°C	100%
	0°C	85%
	-15°C	65%
Self-discharge (25°C)	3 month	Remaining Capacity: 91%
	6 month	Remaining Capacity: 82%
	12 month	Remaining Capacity: 65%
Nominal operating temperature		25°C ± 3°C (77°F ± 5°F)
Operating temperature range		-15°C ~ 50°C (5°F ~ 122°F)
Float charging voltage(25°C)		13.50 to 13.80V
Cyclic charging voltage(25°C)		14.50 to 14.90V
Maximum charging current		40A
Terminal material		Copper
Maximum discharge current		1050A(5 sec.)

- ◆ Absorbent glass mat technology;
- ◆ Recognized by UL & CE;
- ◆ ABS container.

**Charging Characteristics(25°C)**



**Cycle Life(25°C)**



Note: Floating life at 20°C designed for 7 to 10 years.

**Constant Current Discharge Characteristics (A, 25°C)**

F.V/TIME	5min	10min	15min	30min	60min	3h	5h	10h	20h
9.60V	430	290	230	144	87.0	34.0	24.6	13.6	7.11
10.2V	409	276	221	138	83.5	33.5	24.2	13.5	7.04
10.8V	384	259	210	131	79.3	32.8	23.7	13.4	7.00

**Constant Power Discharge Characteristics (Watt, 25°C)**

F.V/TIME	5min	10min	15min	30min	60min	3h	5h	10h	20h
9.60V	4515	3132	2525	1616	992	400	290	162	85.0
10.2V	4289	2975	2424	1551	952	394	286	161	84.5
10.8V	4032	2797	2303	1474	905	386	280	161	84.0