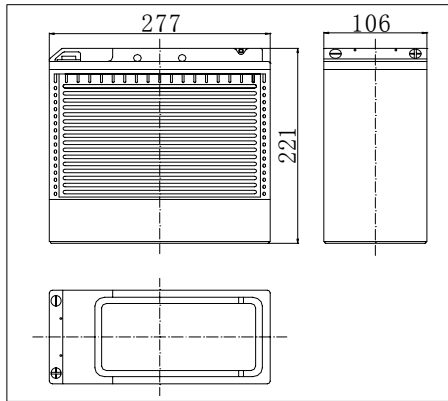
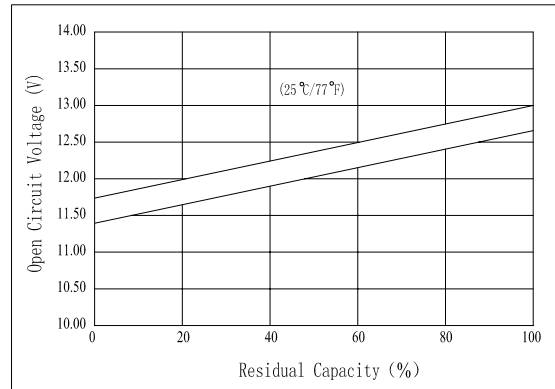


**Dimensions**



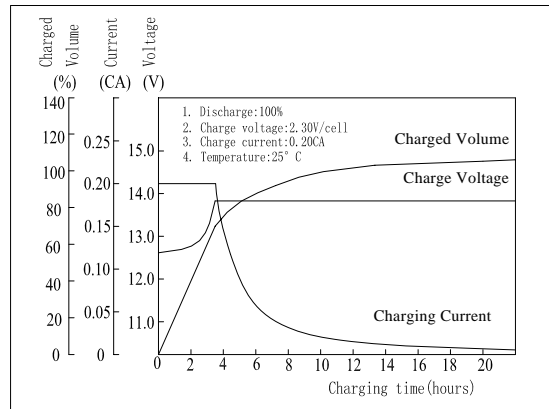
**The Relationship for Open Circuit Voltage and Residual Capacity (25°C)**



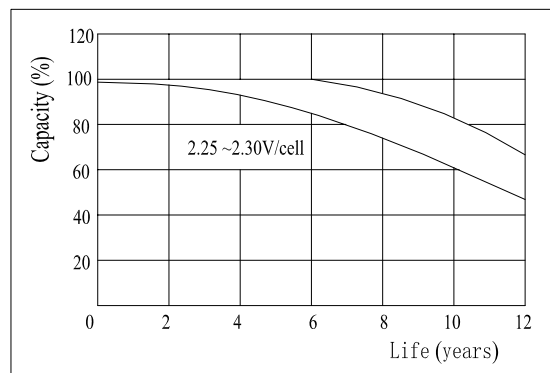
**Specifications**

Nominal Voltage	12 V	
Capacity(10HR, 25°C)	50 Ah	
Dimension	Length	277mm (8.94inch)
	Width	106mm (4.17inch)
	Height	221mm (8.70inch)
	Total Height	221mm (8.70inch)
Approx. Weight	17kg (37.5lbs)	
Internal resistance (Fully charged, 25°C)	Approx. 6.2m Ω	
Capacity affected by temperature (10HR)	40°C	102%
	25°C	100%
	0°C	85%
	-15°C	65%
Self-discharge (25°C)	3 month	Remaining Capacity: 91%
	6 month	Remaining Capacity: 82%
	12 month	Remaining Capacity: 65%
Nominal operating temperature	25°C ± 3°C (77°F ± 5°F)	
Operating temperature range	-15°C ~ 50°C (5°F ~ 122°F)	
Float charging voltage(25°C)	13.50 to 13.80V	
Cyclic charging voltage(25°C)	14.50 to 14.90V	
Maximum charging current	15A	
Terminal material	Copper	
Maximum discharge current	400A(5 sec.)	

**Charging Characteristics(25°C)**



**Floating Life Characteristics (25°C)**



Note: Floating life at 20°C designed for more than 12 years.

- ◆ Absorbent glass mat technology;
- ◆ Recognized by UL & CE;
- ◆ ABS container.

**Constant Current Discharge Characteristics (A, 25°C)**

F.V/TIME	5min	10min	15min	30min	60min	3h	5h	10h	20h
9.60V	153	102	81.0	51.0	31.5	12.9	9.13	5.07	2.66
10.2V	145	96.7	77.7	49.0	30.2	12.8	9.00	5.03	2.64
10.8V	136	91.0	73.7	46.3	28.7	12.5	8.83	5.00	2.63

**Constant Power Discharge Characteristics (Watt, 25°C)**

F.V/TIME	5min	10min	15min	30min	60min	3h	5h	10h	20h
9.60V	1604	1100	888	572	359	152	108	60.7	32.0
10.2V	1524	1045	852	549	345	150	106	60.0	31.7
10.8V	1432	982	810	521	327	147	104	60.0	31.5