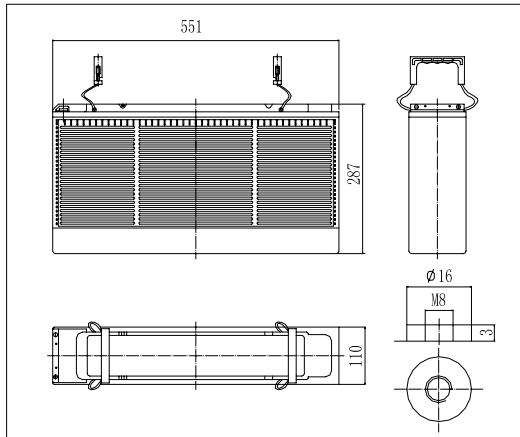


**Dimensions**

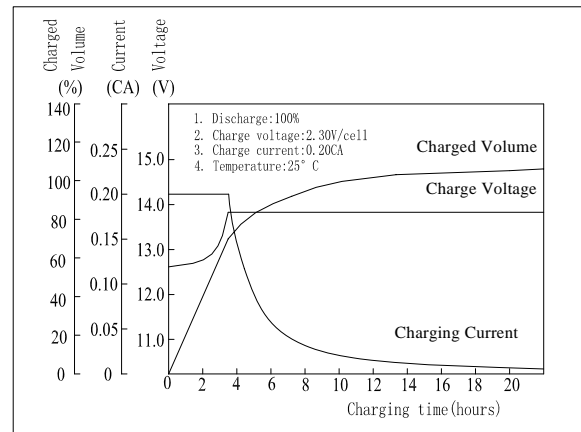


**Specifications**

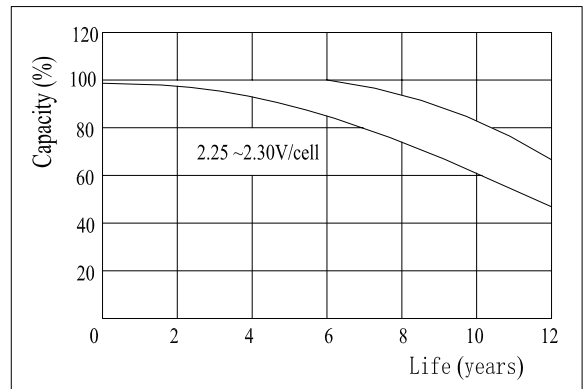
Nominal Voltage	12 V	
Capacity(10HR, 25°C)	150 Ah	
Dimension	Length	551mm (21.69inch)
	Width	110mm (4.33inch)
	Height	287mm (11.30inch)
	Total Height	287mm (11.30inch)
Approx. Weight	50kg (110.2lbs)	
Internal resistance (Fully charged, 25°C)	Approx. 3.6m Ω	
Capacity affected by temperature (10HR)	40°C	102%
	25°C	100%
	0°C	85%
	-15°C	65%
Self-discharge (25°C)	3 month	Remaining Capacity: 91%
	6 month	Remaining Capacity: 82%
	12 month	Remaining Capacity: 65%
Nominal operating temperature	25°C ± 3°C (77°F ± 5°F)	
Operating temperature range	-15°C ~ 50°C (5°F ~ 122°F)	
Float charging voltage(25°C)	13.50 to 13.80V	
Cyclic charging voltage(25°C)	14.50 to 14.90V	
Maximum charging current	45A	
Terminal material	Copper	
Maximum discharge current	1200A(5 sec.)	

- ◆ Absorbent glass mat technology;
- ◆ Recognized by UL & CE;
- ◆ ABS container.

**Charging Characteristics(25°C)**



**Floating Life Characteristics (25°C)**



Note: Floating life at 20°C designed for more than 12 years.

**Constant Current Discharge Characteristics (A, 25°C)**

F.V/TIME	5min	10min	15min	30min	60min	3h	5h	10h	20h
9.60V	465	315	262	160	97.5	38.9	27.6	15.3	7.90
10.2V	442	299	252	154	93.6	38.3	27.2	15.2	7.90
10.8V	415	281	239	146	88.9	37.5	26.7	15.0	7.85

**Constant Power Discharge Characteristics (Watt, 25°C)**

F.V/TIME	5min	10min	15min	30min	60min	3h	5h	10h	20h
9.60V	4883	3402	2877	1795	1112	457	326	183	94.8
10.2V	4638	3232	2762	1723	1067	450	322	181	94.8
10.8V	4360	3038	2624	1637	1014	441	316	179	94.2