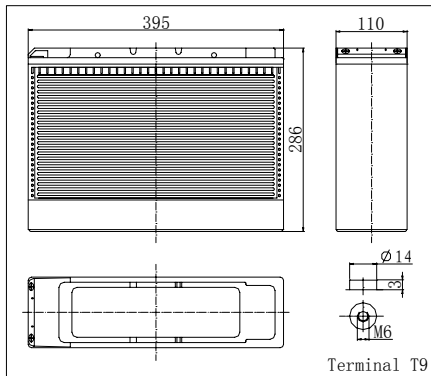


Dimensions

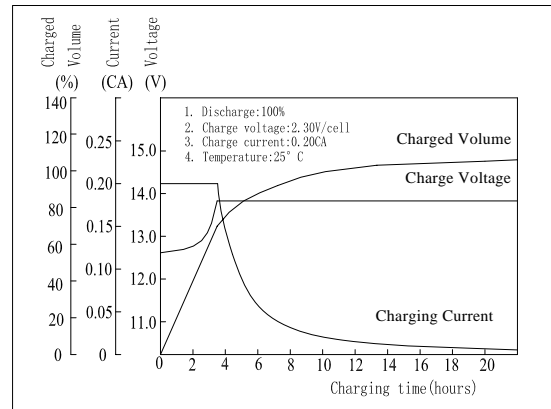


Specifications

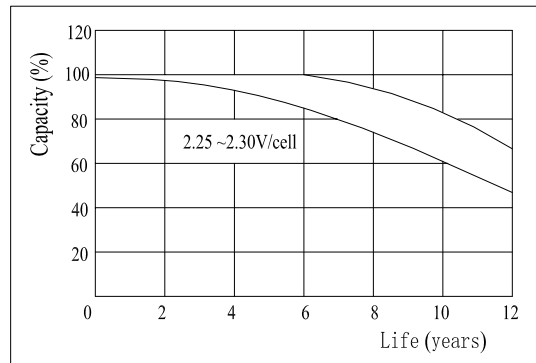
Nominal Voltage		12 V
Capacity(10HR, 25°C)		105 Ah
Dimension	Length	395mm (15.65inch)
	Width	110mm (4.33inch)
	Height	286mm (11.3inch)
	Total Height	286mm (11.3inch)
Approx. Weight		35kg (77.2lbs)
Internal resistance (Fully charged, 25°C)		Approx. 4.2m Ω
Capacity affected by temperature (10HR)	40°C	102%
	25°C	100%
	0°C	85%
	-15°C	65%
Self-discharge (25°C)	3 month	Remaining Capacity: 91%
	6 month	Remaining Capacity: 82%
	12 month	Remaining Capacity: 65%
Nominal operating temperature		25°C ± 3°C (77°F ± 5°F)
Operating temperature range		-15°C ~ 50°C (5°F ~ 122°F)
Float charging voltage(25°C)		13.50 to 13.80V
Cyclic charging voltage(25°C)		14.50 to 14.90V
Maximum charging current		31.5A
Terminal material		Copper
Maximum discharge current		840A(5 sec.)

- ◆ Absorbent glass mat technology;
- ◆ Recognized by UL & CE;
- ◆ ABS container.

Charging Characteristics(25°C)



Floating Life Characteristics (25°C)



Note: Floating life at 20°C designed for more than 12 years.

Constant Current Discharge Characteristics (A, 25°C)

F.V/TIME	5min	10min	15min	30min	60min	3h	5h	10h	20h
9.60V	321	214	170	107	66.2	27.2	19.2	10.7	5.60
10.2V	305	203	163	103	63.5	26.8	18.9	10.6	5.55
10.8V	286	191	155	97.6	60.3	26.2	18.5	10.5	5.51

Constant Power Discharge Characteristics (Watt, 25°C)

F.V/TIME	5min	10min	15min	30min	60min	3h	5h	10h	20h
9.60V	3369	2310	1864	1201	754	320	227	127	67.1
10.2V	3200	2194	1790	1153	724	315	223	126	66.5
10.8V	3008	2063	1700	1095	688	309	219	126	66.2