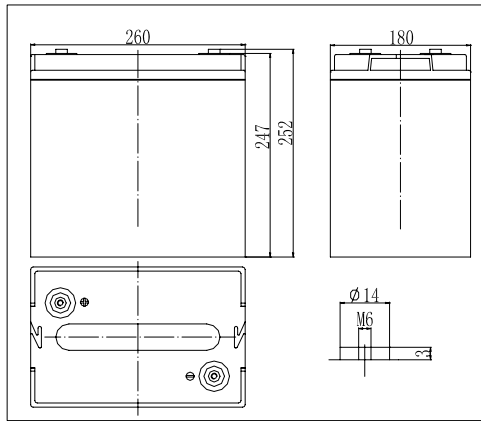
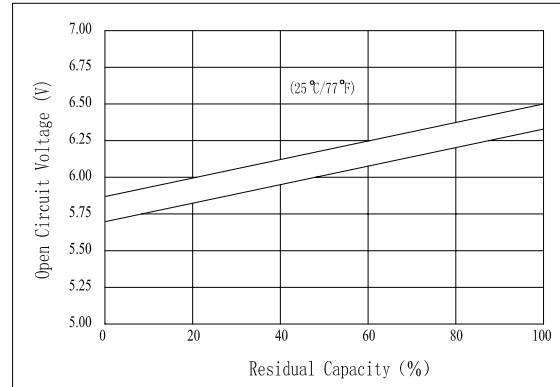


Dimensions



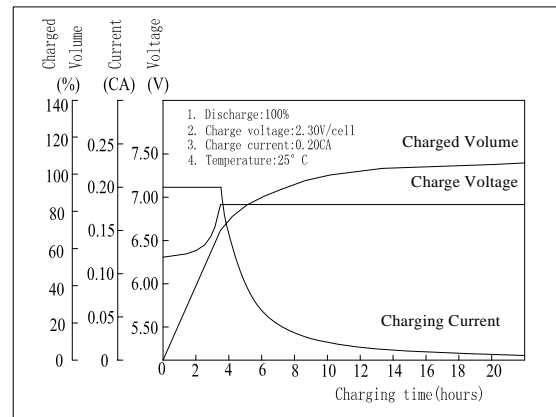
The Relationship for Open Circuit Voltage and Residual Capacity (25°C)



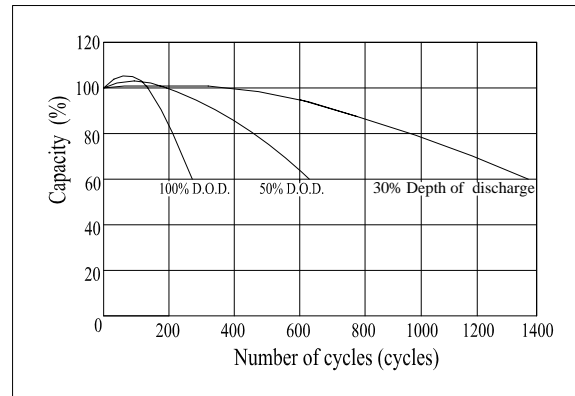
Specifications

Nominal Voltage	6 V	
Capacity(10HR, 25°C)	150 Ah	
Dimension	Length	260mm (10.4inch)
	Width	180mm (7.20inch)
	Height	247mm (9.88inch)
	Total Height	252mm (10.1inch)
Approx. Weight	24.5kg (54.0lbs)	
Internal resistance (Fully charged, 25°C)	Approx. 3.3mΩ	
Capacity affected by temperature (10HR)	40°C	102%
	25°C	100%
	0°C	85%
	-15°C	65%
Self-discharge (25°C)	3 month	Remaining Capacity: 91%
	6 month	Remaining Capacity: 82%
	12 month	Remaining Capacity: 65%
Nominal operating temperature	25°C ± 3°C (77°F ± 5°F)	
Operating temperature range	-15°C ~ 50°C (5°F ~ 122°F)	
Float charging voltage(25°C)	6.75 to 6.90V	
Cyclic charging voltage(25°C)	7.25 to 7.45V	
Maximum charging current	45A	
Terminal material	Copper	
Maximum discharge current	1200A(5 sec.)	

Charging Characteristics(25°C)



Cycle Life(25°C)



Note: Floating life at 20°C designed for 7 to 10 years

- ◆ Absorbent glass mat technology;
- ◆ Recognized by UL & CE;
- ◆ ABS container.

Constant Current Discharge Characteristics (A, 25°C)

F.V/TIME	5min	10min	15min	30min	60min	3h	5h	10h	20h
4.80V	482	321	250	158	95.4	38.8	27.4	15.2	7.99
5.10V	458	305	240	151	91.6	38.3	27.0	15.1	7.92
5.40V	430	287	228	144	87.0	37.5	26.5	15.0	7.88

Constant Power Discharge Characteristics (Watt, 25°C)

F.V/TIME	5min	10min	15min	30min	60min	3h	5h	10h	20h
4.80V	2530	1735	1372	884	544	228	162	90.9	48.0
5.10V	2404	1648	1317	849	522	225	160	90.1	47.5
5.40V	2260	1549	1252	806	496	220	156	90.1	47.3