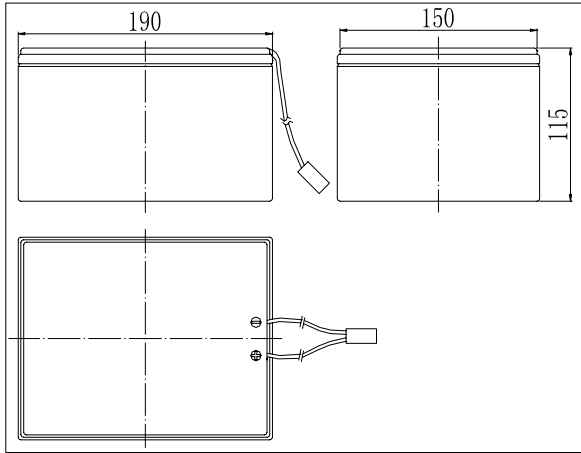
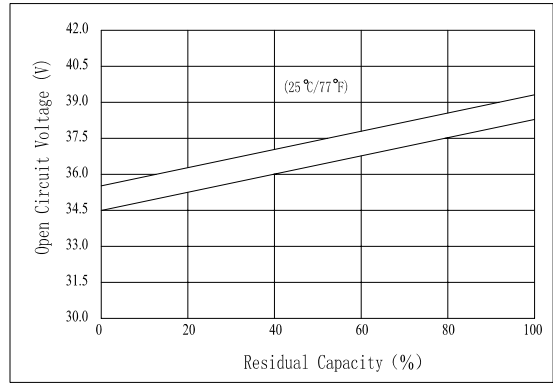


Dimensions



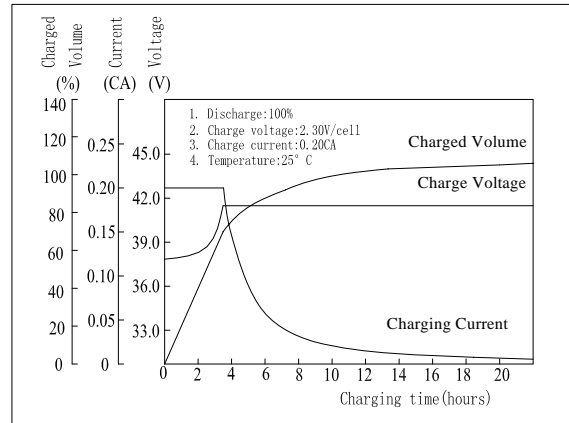
The Relationship for Open Circuit Voltage and Residual Capacity (25°C)



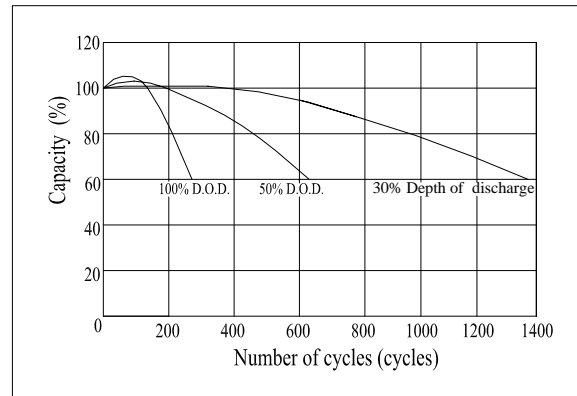
Specifications

Nominal Voltage		36 V
Capacity(20HR, 25°C)		12 Ah
Dimension	Length	190mm (7.48inch)
	Width	150mm (5.91inch)
	Height	115mm (4.53inch)
	Total Height	115mm (4.53inch)
Approx. Weight		9.8kg (21.6lbs)
Capacity affected by temperature (20HR)	40°C	102%
	25°C	100%
	0°C	85%
	-15°C	65%
Self-discharge (25°C)	3 month	Remaining Capacity: 91%
	6 month	Remaining Capacity: 82%
	12 month	Remaining Capacity: 65%
Nominal operating temperature		25°C ± 3°C
Operating temperature range		-15°C ~ 50°C
Float charging voltage(25°C)		40.80~41.40V
Cyclic charging voltage(25°C)		43.50~44.70V
Maximum charging current		3.6A
Terminal material		Plug
Maximum discharge current		40A(5 sec.)

Charging Characteristics(25°C)



Cycle Life(25°C)



Note: Floating life at 20°C designed for 3 to 5 years.

- ◆ Absorbent glass mat technology;
- ◆ Recognized by UL & CE;
- ◆ ABS container.

Constant Current Discharge Characteristics (A, 25°C)

F.V/TIME	5min	10min	15min	30min	60min	3h	5h	10h	20h
28.8V	/	/	/	/	7.40	3.05	1.97	1.10	0.61
30.6V	/	/	/	/	7.10	3.00	1.94	1.09	0.60
32.4V	/	/	/	/	6.75	2.94	1.90	1.08	0.59

Constant Power Discharge Characteristics (W, 25°C)

F.V/TIME	5min	10min	15min	30min	60min	3h	5h	10h	20h
28.8V	/	/	/	/	257	108	70.6	39.6	22.0
30.6V	/	/	/	/	247	107	69.5	39.3	21.7
32.4V	/	/	/	/	234	105	68.1	38.9	21.3