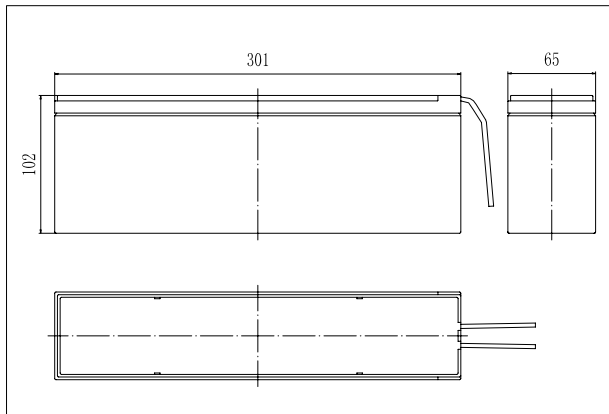


Dimensions



Specifications

Nominal Voltage	24V	
Capacity(20HR, 25°C)	14Ah	
Dimension	Length	300mm (11.8inch)
	Width	98mm (3.86inch)
	Height	103mm (4.06inch)
	Total Height	103mm (4.06inch)
Approx. Weight	8.2kg (18.1lbs)	
Internal resistance (Fully charged, 25°C)	Approx. 45mΩ	
Capacity affected by temperature (20HR)	40°C	102%
	25°C	100%
	0°C	85%
	-15°C	65%
Self-discharge (25°C)	3 month	Remaining Capacity: 91%
	6 month	Remaining Capacity: 82%
	12 month	Remaining Capacity: 65%
Nominal operating temperature	25°C ± 3°C (77°F ± 5°F)	
Operating temperature range	-15°C ~ 50°C (5°F ~ 122°F)	
Float charging voltage(25°C)	27.2 to 27.6V	
Cyclic charging voltage(25°C)	29.0 to 29.8V	
Maximum charging current	4.2A	
Terminal material	Plug	
Maximum discharge current	20A(5 sec.)	

- ◆ Absorbent glass mat technology;
- ◆ Recognized by UL & CE;
- ◆ ABS container.

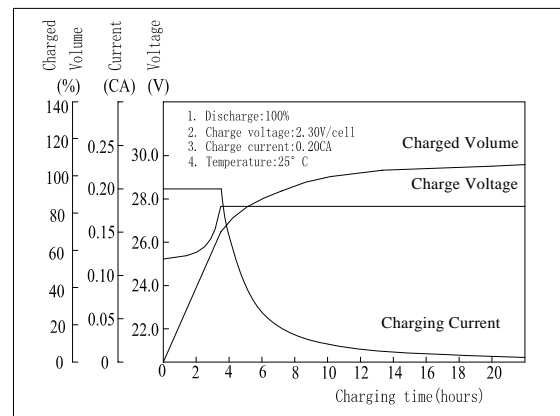
Constant Current Discharge Characteristics (A, 25°C)

F.V/TIME	5min	10min	15min	30min	60min	3h	5h	10h	20h
19.2V	--	--	--	--	--	3.50	2.27	1.27	0.71
20.4V	--	--	--	--	--	3.45	2.24	1.26	0.70
21.6V	--	--	--	--	--	3.38	2.20	1.25	0.70

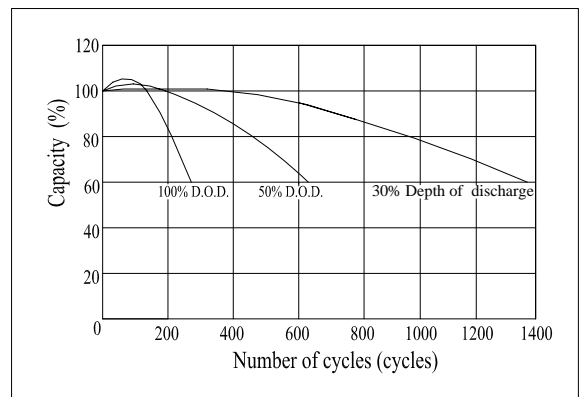
Constant Power Discharge Characteristics (Watt, 25°C)

F.V/TIME	5min	10min	15min	30min	60min	3h	5h	10h	20h
19.2V	--	--	--	--	--	83.2	54.3	30.5	17.1
20.4V	--	--	--	--	--	82.0	53.5	30.2	16.9
21.6V	--	--	--	--	--	80.3	52.4	30.2	16.8

Charging Characteristics(25°C)



Cycle Life(25°C)



Note: Floating life at 20°C designed for 3 to 5 years.