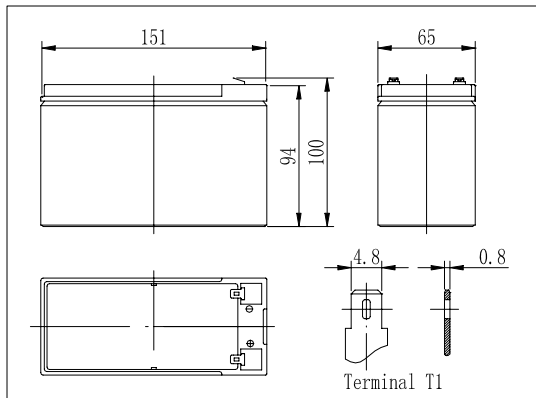
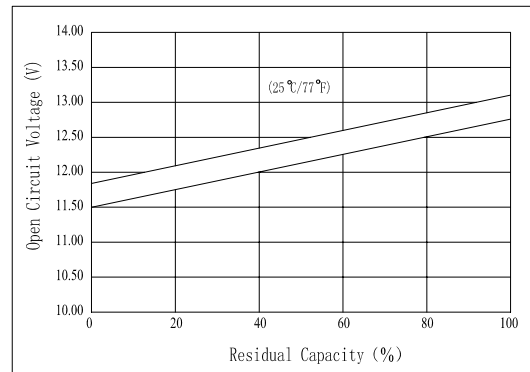


Dimensions



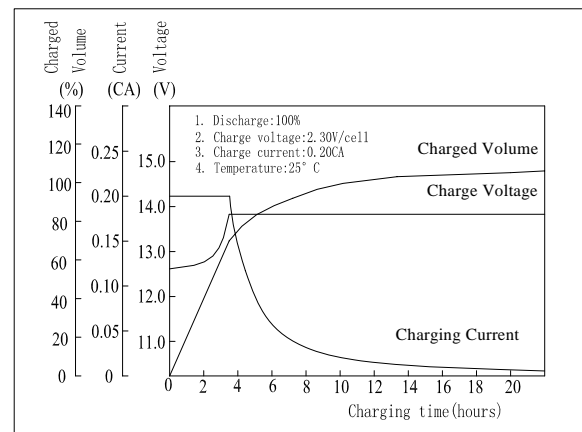
The Relationship for Open Circuit Voltage and Residual Capacity (25°C)



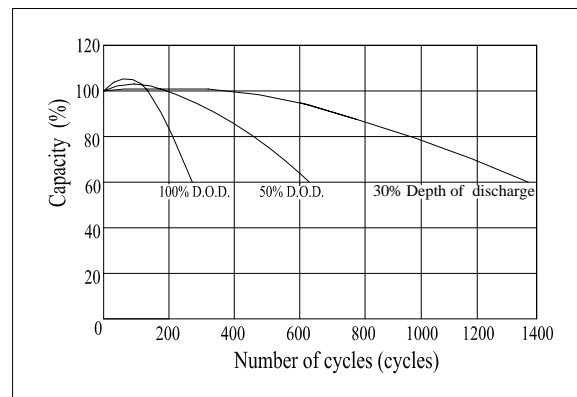
Specifications

| | | |
|---|----------------------------|-------------------------|
| Nominal Voltage | 12 V | |
| Capacity(20HR, 25°C) | 7Ah | |
| Dimension | Length | 151mm (5.94inch) |
| | Width | 65mm (2.56inch) |
| | Height | 94mm (3.70inch) |
| | Total Height | 100mm (3.94inch) |
| Approx. Weight | 2.45kg (5.40lbs) | |
| Internal resistance (Fully charged, 25°C) | Approx. 20mΩ | |
| Capacity affected by temperature (20HR) | 40°C | 102% |
| | 25°C | 100% |
| | 0°C | 85% |
| | -15°C | 65% |
| Self-discharge (25°C) | 3 month | Remaining Capacity: 91% |
| | 6 month | Remaining Capacity: 82% |
| | 12 month | Remaining Capacity: 65% |
| Nominal operating temperature | 25°C ± 3°C (77°F ± 5°F) | |
| Operating temperature range | -15°C ~ 50°C (5°F ~ 122°F) | |
| Float charging voltage(25°C) | 13.60 to 13.80V | |
| Cyclic charging voltage(25°C) | 14.50 to 14.90V | |
| Maximum charging current | 2.1A | |
| Terminal material | Copper | |
| Maximum discharge current | 105A(5 sec.) | |

Charging Characteristics(25°C)



Cycle Life(25°C)



Note: Floating life at 20°C designed for 3 to 5 years.

- ◆ Absorbent glass mat technology;
- ◆ Recognized by UL & CE;
- ◆ ABS container.

Constant Current Discharge Characteristics (A, 25°C)

| F.V/TIME | 5min | 10min | 15min | 30min | 60min | 3h | 5h | 10h | 20h |
|----------|------|-------|-------|-------|-------|------|------|------|------|
| 9.60V | 29.5 | 18.5 | 14.7 | 8.39 | 5.00 | 1.93 | 1.28 | 0.70 | 0.36 |
| 10.2V | 28.0 | 17.5 | 14.1 | 8.03 | 4.79 | 1.90 | 1.26 | 0.70 | 0.36 |
| 10.8V | 26.2 | 16.4 | 13.3 | 7.62 | 4.54 | 1.86 | 1.23 | 0.69 | 0.35 |

Constant Power Discharge Characteristics (Watt, 25°C)

| F.V/TIME | 5min | 10min | 15min | 30min | 60min | 3h | 5h | 10h | 20h |
|----------|------|-------|-------|-------|-------|------|------|------|------|
| 9.60V | 329 | 209 | 168 | 96.1 | 57.9 | 22.9 | 15.3 | 8.40 | 4.32 |
| 10.2V | 312 | 197 | 161 | 92.0 | 55.5 | 22.6 | 15.0 | 8.40 | 4.32 |
| 10.8V | 292 | 185 | 152 | 87.3 | 52.5 | 22.1 | 14.7 | 8.28 | 4.20 |