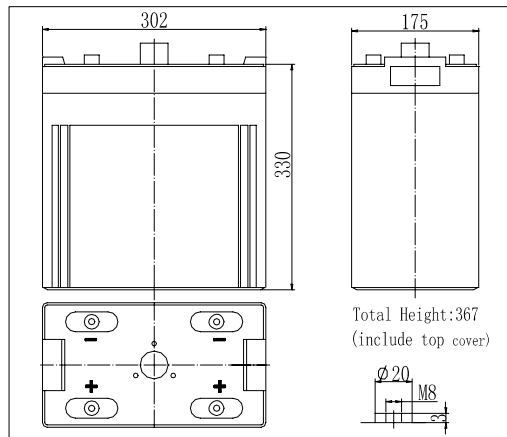


Dimensions

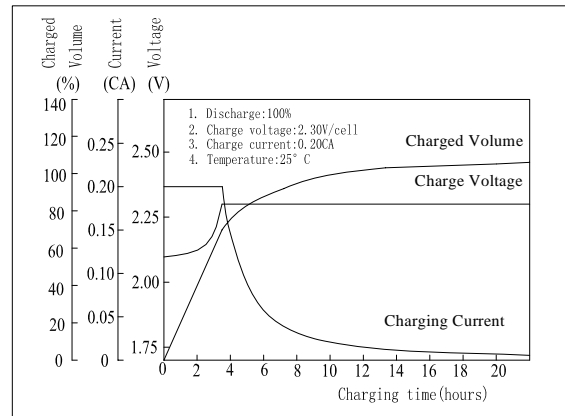


Specifications

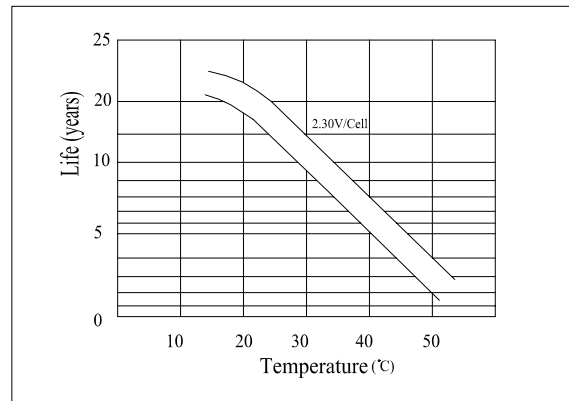
Nominal Voltage	2 V	
Capacity(10HR, 25°C)	600 Ah	
Dimension	Length	302mm (11.89inch)
	Width	175mm (6.89inch)
	Height	330mm (12.99inch)
	Total Height	367mm (14.45inch)
Approx. Weight	40kg (88.2lbs)	
Internal resistance (Fully charged, 25°C)	Approx. 0.32mΩ	
Capacity affected by temperature (20HR)	40°C	102%
	25°C	100%
	0°C	85%
	-15°C	65%
Self-discharge (25°C)	3 month	Remaining Capacity: 91%
	6 month	Remaining Capacity: 82%
	12 month	Remaining Capacity: 65%
Nominal operating temperature	25°C ± 3°C (77°F ± 5°F)	
Operating temperature range	-15°C ~ 50°C (5°F ~ 122°F)	
Float charging voltage(25°C)	2.25 to 2.30V	
Cyclic charging voltage(25°C)	2.42 to 2.48V	
Maximum charging current	120A	
Terminal material	Copper	
Maximum discharge current	4000A(5 sec.)	

- ◆ Absorbent glass mat technology;
- ◆ Recognized by UL & CE;
- ◆ ABS container.

Charging Characteristics(25°C)



Temperature Affects On Floating Life



Note: Floating life at 20°C designed for 15 to 18 years.

Constant Current Discharge Characteristics (A, 25°C)

F.V/TIME	5min	10min	15min	30min	60min	3h	5h	10h	20h
1.60V	1860	1260	990	630	390	158	113	60.9	32.5
1.70V	1767	1197	950	605	374	156	111	60.4	32.2
1.80V	1661	1125	903	575	356	153	109	60.0	32.0

Constant Power Discharge Characteristics (Watt, 25°C)

F.V/TIME	5min	10min	15min	30min	60min	3h	5h	10h	20h
1.60V	3255	2268	1812	1178	741	310	222	121	65.0
1.70V	3092	2155	1739	1131	711	306	219	120	64.4
1.80V	2907	2025	1652	1074	676	300	214	120	64.0