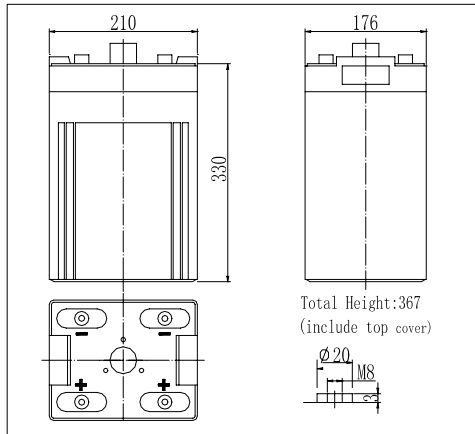
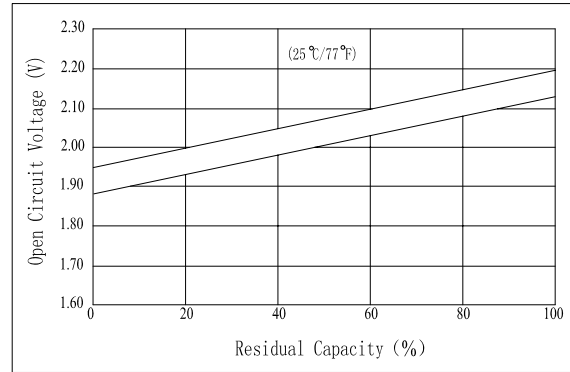


**Dimensions**



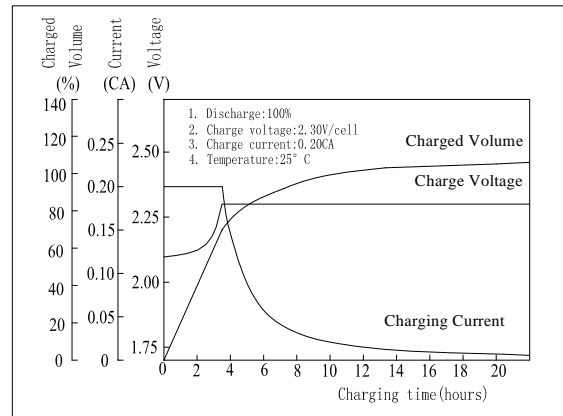
**The Relationship for Open Circuit Voltage and Residual Capacity (25°C)**



**Specifications**

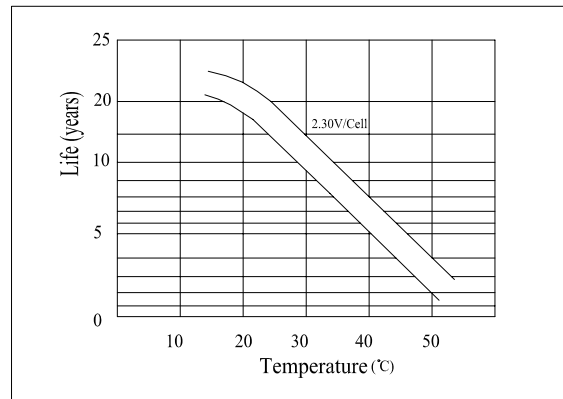
Nominal Voltage	2 V	
Capacity(10HR, 25°C)	450 Ah	
Dimension	Length	210mm (8.27inch)
	Width	176mm (6.93inch)
	Height	330mm (12.99inch)
	Total Height	367mm (14.45inch)
Approx. Weight	28kg (61.7lbs)	
Internal resistance (Fully charged, 25°C)	Approx. 0.45mΩ	
Capacity affected by temperature (20HR)	40°C	102%
	25°C	100%
	0°C	85%
	-15°C	65%
Self-discharge (25°C)	3 month	Remaining Capacity: 91%
	6 month	Remaining Capacity: 82%
	12 month	Remaining Capacity: 65%
Nominal operating temperature	25°C ± 3°C (77°F ± 5°F)	
Operating temperature range	-15°C ~ 50°C (5°F ~ 122°F)	
Float charging voltage(25°C)	2.25 to 2.30V	
Cyclic charging voltage(25°C)	2.42 to 2.48V	
Maximum charging current	80A	
Terminal material	Copper	
Maximum discharge current	2800A(5 sec.)	

**Charging Characteristics(25°C)**



- ◆ Absorbent glass mat technology;
- ◆ Recognized by UL & CE;
- ◆ ABS container.

**Temperature Affects On Floating Life**



Note: Floating life at 20°C designed for 15 to 18 years.

**Constant Current Discharge Characteristics (A, 25°C)**

F.V/TIME	5min	10min	15min	30min	60min	3h	5h	10h	20h
1.60V	1373	923	720	450	293	116	83.1	45.7	24.0
1.70V	1304	876	691	432	281	115	81.9	45.3	23.8
1.80V	1226	824	657	410	267	112	80.3	45.0	23.6

**Constant Power Discharge Characteristics (Watt, 25°C)**

F.V/TIME	5min	10min	15min	30min	60min	3h	5h	10h	20h
1.60V	2402	1661	1318	842	556	228	164	90.9	48.0
1.70V	2282	1577	1265	808	534	225	161	90.1	47.5
1.80V	2145	1483	1202	767	507	220	158	90.1	47.3