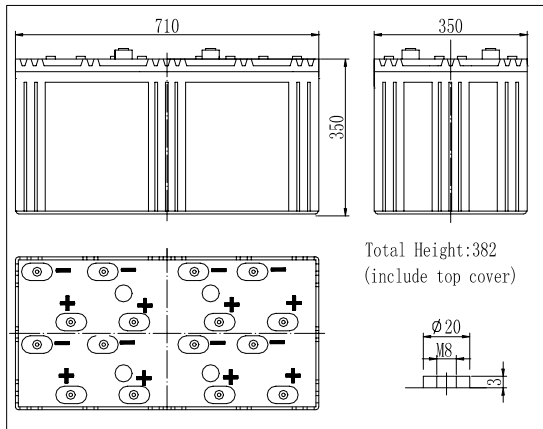


Dimensions

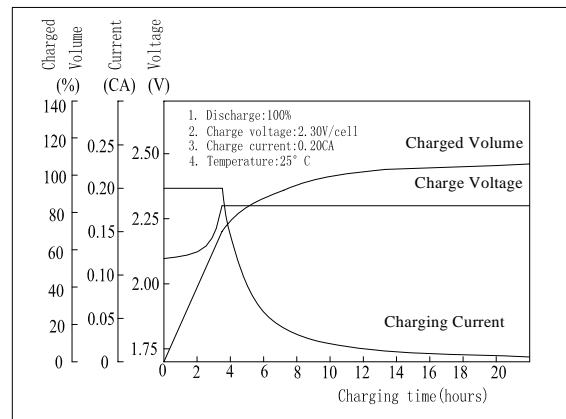


Specifications

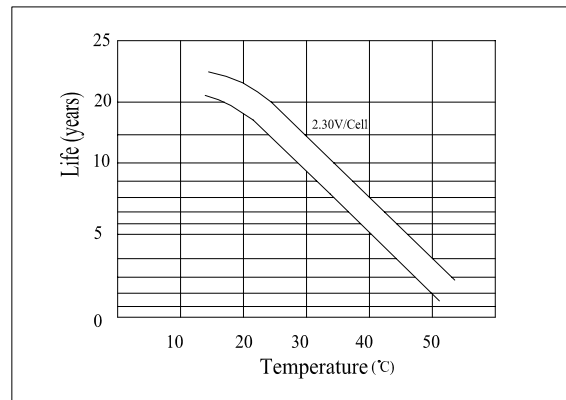
Nominal Voltage	2 V	
Capacity(10HR, 25°C)	3000 Ah	
Dimension	Length	710mm (27.95inch)
	Width	350mm (13.78inch)
	Height	350mm (13.78inch)
	Total Height	382mm (15.04inch)
Approx. Weight	200kg (441.0lbs)	
Internal resistance (Fully charged, 25°C)	Approx. 0.11m Ω	
Capacity affected by temperature (20HR)	40°C	102%
	25°C	100%
	0°C	85%
	-15°C	65%
Self-discharge (25°C)	3 month	Remaining Capacity: 91%
	6 month	Remaining Capacity: 82%
	12 month	Remaining Capacity: 65%
Nominal operating temperature	25°C ± 3°C (77°F ± 5°F)	
Operating temperature range	-15°C ~ 50°C (5°F ~ 122°F)	
Float charging voltage(25°C)	2.25 to 2.30V	
Cyclic charging voltage(25°C)	2.42 to 2.48V	
Maximum charging current	600A	
Terminal material	Copper	
Maximum discharge current	15000A(5 sec.)	

- ◆ Absorbent glass mat technology;
- ◆ Recognized by UL & CE;
- ◆ ABS container.

Charging Characteristics(25°C)



Temperature Affects On Floating Life



Note: Floating life at 20°C designed for 15 to 18 years.

Constant Current Discharge Characteristics (A, 25°C)

F.V/TIME	5min	10min	15min	30min	60min	3h	5h	10h	20h
1.60V	9000	6000	4800	3000	1950	761	548	305	158
1.70V	8550	5700	4608	2880	1872	750	540	302	157
1.80V	8037	5358	4378	2736	1778	735	529	300	156

Constant Power Discharge Characteristics (Watt, 25°C)

F.V/TIME	5min	10min	15min	30min	60min	3h	5h	10h	20h
1.60V	15750	10800	8784	5610	3705	1492	1080	606	317
1.70V	14963	10260	8433	5386	3557	1470	1064	601	314
1.80V	14065	9644	8011	5116	3379	1441	1043	601	312

