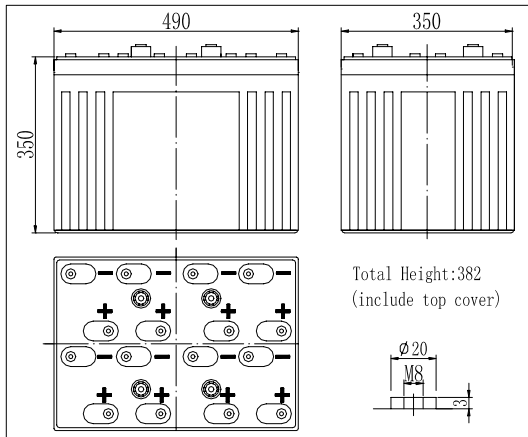
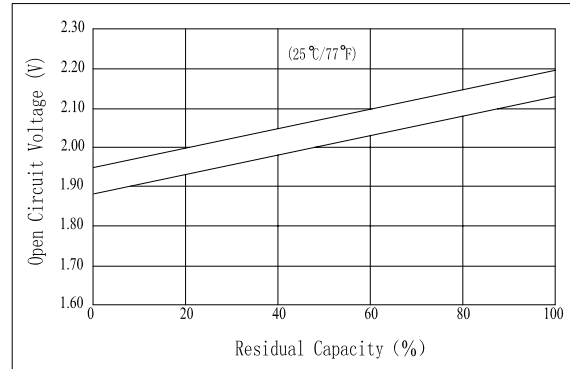


Dimensions



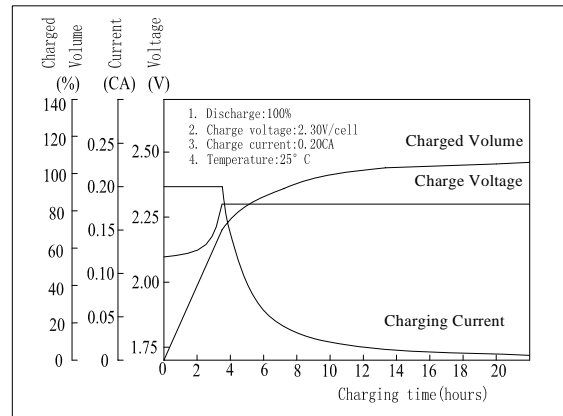
The Relationship for Open Circuit Voltage and Residual Capacity (25°C)



Specifications

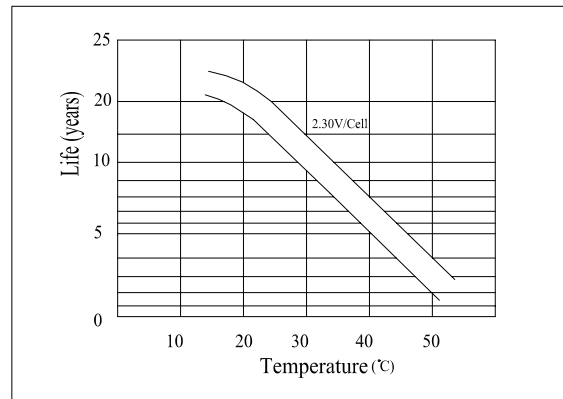
Nominal Voltage	2 V	
Capacity(10HR, 25°C)	2400 Ah	
Dimension	Length	490mm (19.29inch)
	Width	350mm (13.78inch)
	Height	350mm (13.78inch)
	Total Height	382mm (15.04inch)
Approx. Weight	140kg (309lbs)	
Internal resistance (Fully charged, 25°C)	Approx. 0.11mΩ	
Capacity affected by temperature (20HR)	40°C	102%
	25°C	100%
	0°C	85%
	-15°C	65%
Self-discharge (25°C)	3 month	Remaining Capacity: 91%
	6 month	Remaining Capacity: 82%
	12 month	Remaining Capacity: 65%
Nominal operating temperature	25°C ± 3°C (77°F ± 5°F)	
Operating temperature range	-15°C ~ 50°C (5°F ~ 122°F)	
Float charging voltage(25°C)	2.25 to 2.30V	
Cyclic charging voltage(25°C)	2.42 to 2.48V	
Maximum charging current	480A	
Terminal material	Copper	
Maximum discharge current	13000A(5 sec.)	

Charging Characteristics(25°C)



- ◆ Absorbent glass mat technology;
- ◆ Recognized by UL & CE;
- ◆ ABS container.

Temperature Affects On Floating Life



Note: Floating life at 20°C designed for 15 to 18 years.

Constant Current Discharge Characteristics (A, 25°C)

F.V/TIME	5min	10min	15min	30min	60min	3h	5h	10h	20h
1.60V	7320	4920	3840	2400	1560	621	443	244	128
1.70V	6954	4674	3686	2304	1498	612	437	241	127
1.80V	6537	4394	3502	2189	1423	600	428.1	240	126

Constant Power Discharge Characteristics (Watt, 25°C)

F.V/TIME	5min	10min	15min	30min	60min	3h	5h	10h	20h
1.60V	12810	8856	7027	4488	2964	1218	873	485	256
1.70V	12170	8413	6746	4308	2845	1200	860	480	254
1.80V	11439	7908	6409	4093	2703	1176	843	480	252