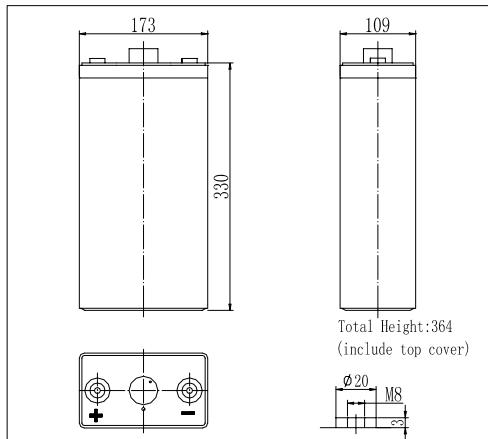


Dimensions

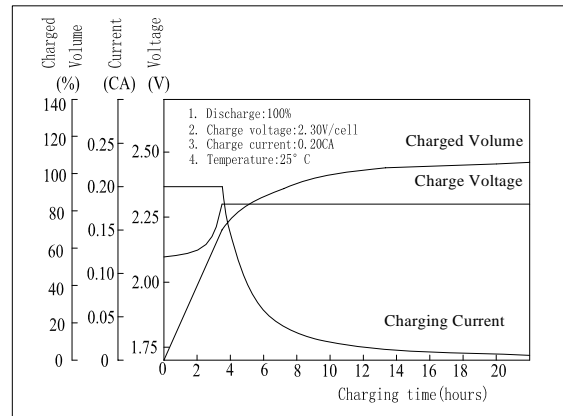


Specifications

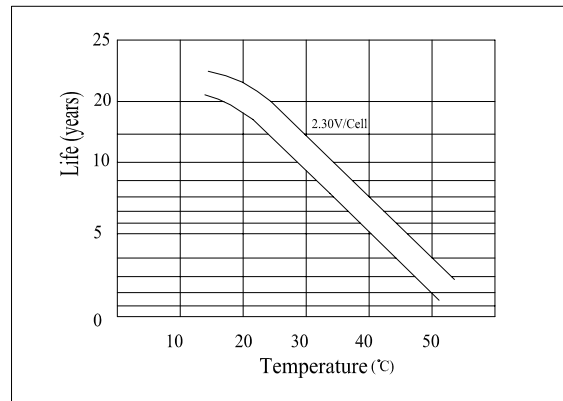
Nominal Voltage	2 V	
Capacity(10HR, 25°C)	200 Ah	
Dimension	Length	173mm (6.81inch)
	Width	109mm (4.29inch)
	Height	330mm (12.99inch)
	Total Height	364mm (14.33inch)
Approx. Weight	14.5kg (32.0lbs)	
Internal resistance (Fully charged, 25°C)	Approx. 0.70mΩ	
Capacity affected by temperature (20HR)	40°C	102%
	25°C	100%
	0°C	85%
	-15°C	65%
Self-discharge (25°C)	3 month	Remaining Capacity: 91%
	6 month	Remaining Capacity: 82%
	12 month	Remaining Capacity: 65%
Nominal operating temperature	25°C ± 3°C (77°F ± 5°F)	
Operating temperature range	-15°C ~ 50°C (5°F ~ 122°F)	
Float charging voltage(25°C)	2.25 to 2.30V	
Cyclic charging voltage(25°C)	2.42 to 2.48V	
Maximum charging current	40A	
Terminal material	Copper	
Maximum discharge current	1500A(5 sec.)	

- ◆ Absorbent glass mat technology;
- ◆ Recognized by UL & CE;
- ◆ ABS container.

Charging Characteristics(25°C)



Temperature Affects On Floating Life



Note: Floating life at 20°C designed for 15 to 18 years.

Constant Current Discharge Characteristics (A, 25°C)

F.V/TIME	5min	10min	15min	30min	60min	3h	5h	10h	20h
1.60V	620	420	330	210	130	52.8	37.6	20.3	10.8
1.70V	589	399	317	202	125	52.0	37.0	20.1	10.7
1.80V	554	375	301	192	119	51.0	36.3	20.0	10.6

Constant Power Discharge Characteristics (Watt, 25°C)

F.V/TIME	5min	10min	15min	30min	60min	3h	5h	10h	20h
1.60V	1085	756	604	393	247	103	74.0	40.4	21.5
1.70V	1031	718	580	377	237	102	72.9	40.0	21.3
1.80V	969	675	551	358	225	99.9	71.4	40.0	21.2