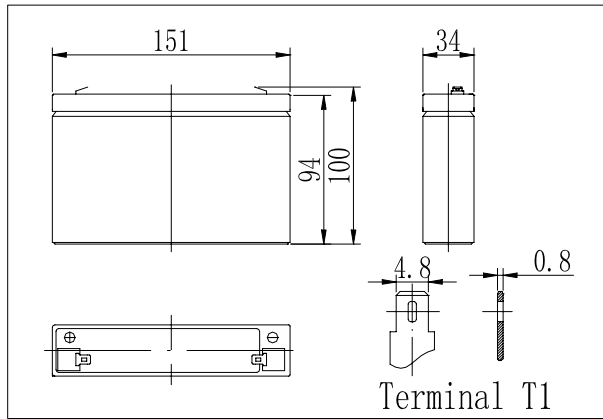
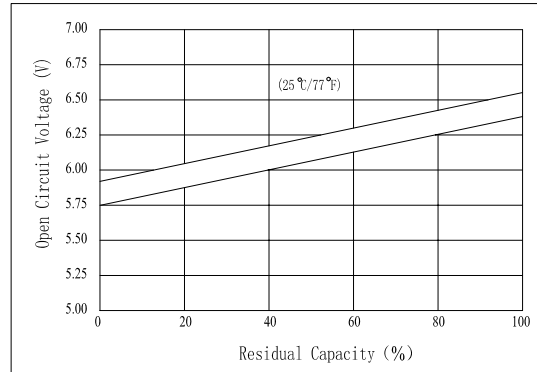


Dimensions



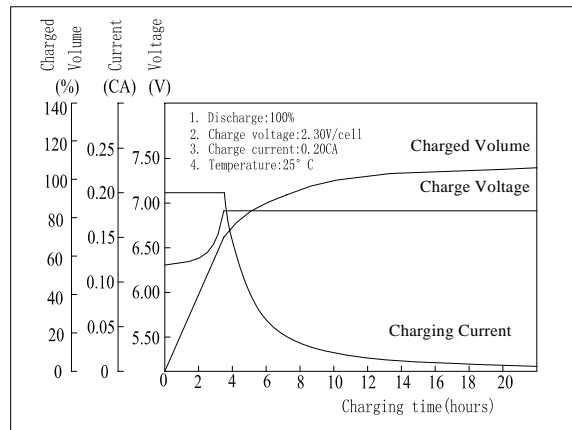
The Relationship for Open Circuit Voltage and Residual Capacity (25°C)



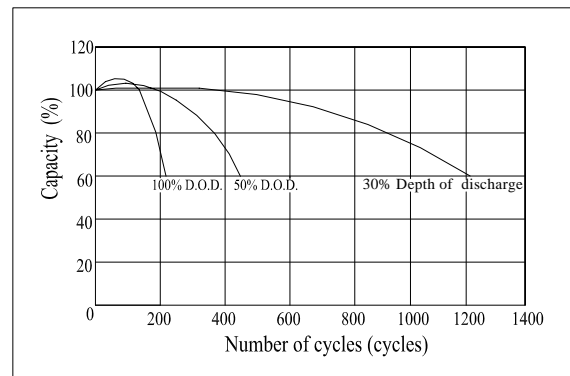
Specifications

Nominal Voltage	6 V	
Capacity(20HR, 25°C)	9 Ah	
Dimension	Length	151mm (5.94inch)
	Width	34mm (1.34inch)
	Height	94mm (3.70inch)
	Total Height	100mm (3.94inch)
Approx. Weight	1.40kg (3.09lbs)	
Internal resistance (Fully charged, 25°C)	Approx. 12.5m Ω	
Capacity affected by temperature (20HR)	40°C	102%
	25°C	100%
	0°C	85%
	-15°C	65%
Self-discharge (25°C)	3 month	Remaining Capacity: 91%
	6 month	Remaining Capacity: 82%
	12 month	Remaining Capacity: 65%
Nominal operating temperature	25°C ± 3°C (77°F ± 5°F)	
Operating temperature range	-15°C ~ 50°C (5°F ~ 122°F)	
Float charging voltage(25°C)	6.80 to 6.90V	
Cyclic charging voltage(25°C)	7.25 to 7.45V	
Maximum charging current	2.7A	
Terminal material	Copper	
Maximum discharge current	135A(5 sec.)	

Charging Characteristics(25°C)



Cycle Life(25°C)



Note: Floating life at 20°C designed for 3 to 5 years.

- ◆ Absorbent glass mat technology;
- ◆ Recognized by UL & CE;
- ◆ ABS container.

Constant Current Discharge Characteristics (A, 25°C)

F.V/TIME	5min	10min	15min	30min	60min	3h	5h	10h	20h
4.80V	34.2	21.6	17.1	9.90	5.85	2.28	1.55	0.84	0.46
5.10V	32.5	20.5	16.4	9.50	5.62	2.25	1.53	0.83	0.45
5.40V	30.5	19.3	15.6	9.03	5.34	2.21	1.50	0.83	0.45

Constant Power Discharge Characteristics (Watt, 25°C)

F.V/TIME	5min	10min	15min	30min	60min	3h	5h	10h	20h
4.80V	191	122	97.5	56.7	33.9	13.6	9.27	5.04	2.74
5.10V	181	116	93.6	54.5	32.5	13.4	9.13	5.00	2.72
5.40V	170	109	88.9	51.7	30.9	13.1	8.95	5.00	2.70