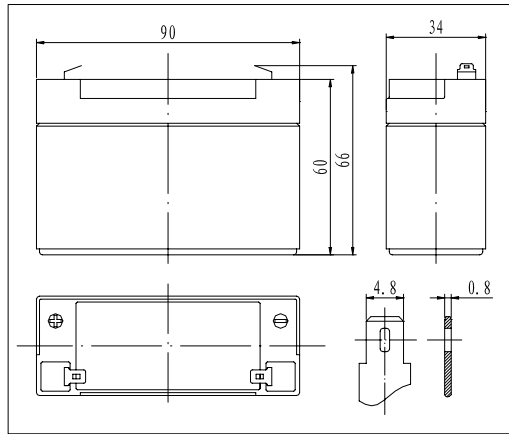
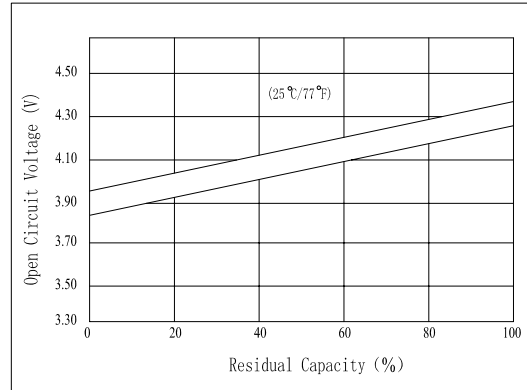


Dimensions



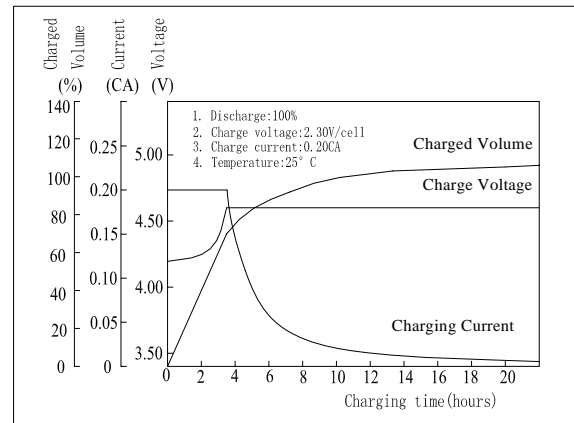
The Relationship for Open Circuit Voltage and Residual Capacity (25°C)



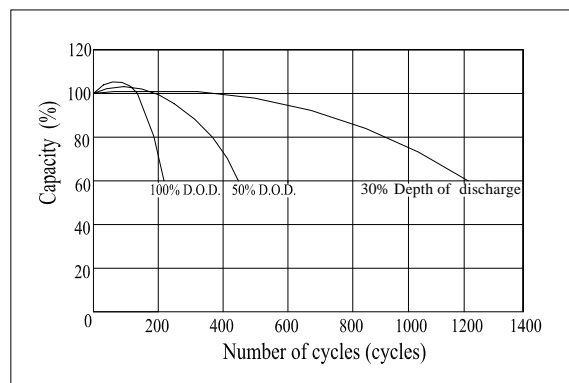
Specifications

| | | |
|---|----------------------------|-------------------------|
| Nominal Voltage | 4 V | |
| Capacity(20HR, 25°C) | 3.4 Ah | |
| Dimension | Length | 90mm (3.67inch) |
| | Width | 34mm (1.39inch) |
| | Height | 60mm (2.45inch) |
| | Total Height | 66mm (2.69inch) |
| Approx. Weight | 0.48kg (1.06lbs) | |
| Internal resistance (Fully charged, 25°C) | Approx. 20mΩ | |
| Capacity affected by temperature (20HR) | 40°C | 102% |
| | 25°C | 100% |
| | 0°C | 85% |
| | -15°C | 65% |
| Self-discharge (25°C) | 3 month | Remaining Capacity: 91% |
| | 6 month | Remaining Capacity: 82% |
| | 12 month | Remaining Capacity: 65% |
| Nominal operating temperature | 25°C ± 3°C (77°F ± 5°F) | |
| Operating temperature range | -15°C ~ 50°C (5°F ~ 122°F) | |
| Float charging voltage(25°C) | 4.50 to 4.60V | |
| Cyclic charging voltage(25°C) | 4.85 to 4.95V | |
| Maximum charging current | 1.02A | |
| Terminal material | Copper | |
| Maximum discharge current | 52A(5 sec.) | |

Charging Characteristics(25°C)



Cycle Life(25°C)



Note: Floating life at 20°C designed for 3 to 5 years.

- ◆ Absorbent glass mat technology;
- ◆ Recognized by UL & CE;
- ◆ ABS container.

Constant Current Discharge Characteristics (A, 25°C)

| F.V/TIME | 5min | 10min | 15min | 30min | 60min | 3h | 5h | 10h | 20h |
|----------|------|-------|-------|-------|-------|------|------|------|------|
| 3.20V | 12.9 | 8.16 | 6.46 | 3.74 | 2.21 | 0.86 | 0.59 | 0.32 | 0.17 |
| 3.40V | 12.3 | 7.75 | 6.20 | 3.59 | 2.12 | 0.85 | 0.58 | 0.31 | 0.17 |
| 3.60V | 11.5 | 7.29 | 5.89 | 3.41 | 2.02 | 0.83 | 0.57 | 0.31 | 0.17 |

Constant Power Discharge Characteristics (Watt, 25°C)

| F.V/TIME | 5min | 10min | 15min | 30min | 60min | 3h | 5h | 10h | 20h |
|----------|------|-------|-------|-------|-------|------|------|------|------|
| 3.20V | 48.1 | 30.7 | 24.5 | 14.3 | 8.53 | 3.42 | 2.33 | 1.27 | 0.69 |
| 3.40V | 45.7 | 29.1 | 23.6 | 13.7 | 8.18 | 3.37 | 2.30 | 1.26 | 0.68 |
| 3.60V | 42.9 | 27.4 | 22.4 | 13.0 | 7.80 | 3.30 | 2.25 | 1.26 | 0.68 |