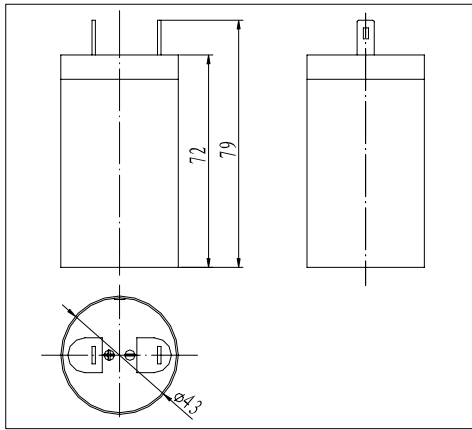
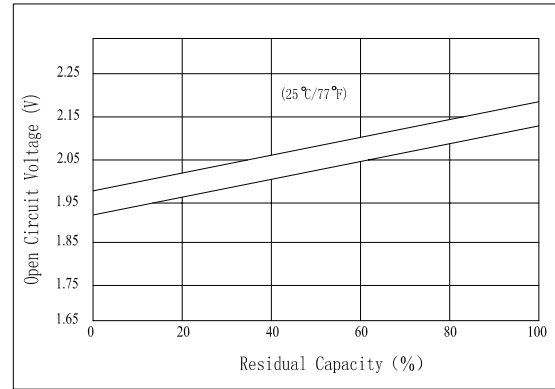


**Dimensions**



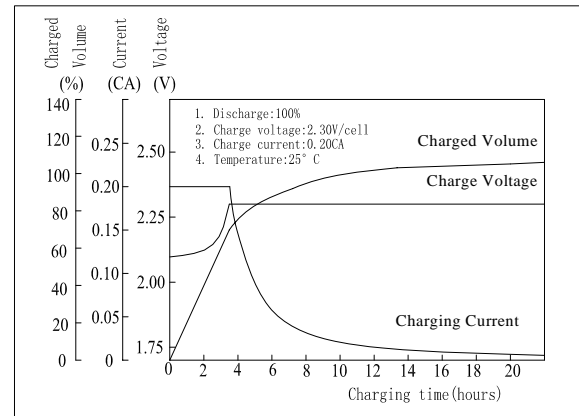
**The Relationship for Open Circuit Voltage and Residual Capacity (25°C)**



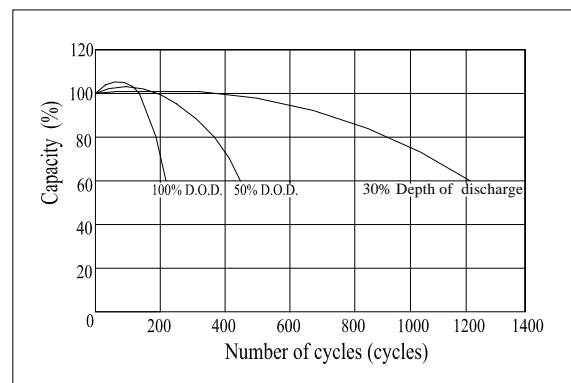
**Specifications**

Nominal Voltage	2 V	
Capacity(20HR, 25°C)	5Ah	
Dimension	Length	φ 43mm (1.69inch)
	Width	/
	Height	72mm (2.83inch)
	Total Height	79mm (3.11inch)
Approx. Weight	0.33kg (0.72lbs)	
Internal resistance (Fully charged, 25°C)	Approx3.5m Ω	
Capacity affected by temperature (20HR)	40°C	102%
	25°C	100%
	0°C	85%
	-15°C	65%
Self-discharge (25°C)	3 month	Remaining Capacity: 91%
	6 month	Remaining Capacity: 82%
	12 month	Remaining Capacity: 65%
Nominal operating temperature	25°C ± 3°C (77°F ± 5°F)	
Operating temperature range	-15°C ~ 50°C (5°F ~ 122°F)	
Float charging voltage(25°C)	2.27 to 2.30V	
Cyclic charging voltage(25°C)	2.42 to 2.48V	
Maximum charging current	1.5A	
Terminal material	Copper	
Maximum discharge current	75A(5 sec.)	

**Charging Characteristics(25°C)**



**Cycle Life(25°C)**



Note: Floating life at 20°C designed for 3 to 5 years.

- ◆ Absorbent glass mat technology;
- ◆ Recognized by UL & CE;
- ◆ ABS container.

**Constant Current Discharge Characteristics (A, 25°C)**

F.V/TIME	5min	10min	15min	30min	60min	3h	5h	10h	20h
1.60V	19.0	12.0	9.50	5.50	3.25	1.27	0.86	0.47	0.254
1.70V	18.1	11.4	9.12	5.28	3.12	1.25	0.85	0.46	0.252
1.80V	17.0	10.7	8.66	5.02	2.96	1.23	0.83	0.46	0.250

**Constant Power Discharge Characteristics (Watt, 25°C)**

F.V/TIME	5min	10min	15min	30min	60min	3h	5h	10h	20h
1.60V	35.3	22.6	18.1	10.5	6.27	2.51	1.72	0.93	0.51
1.70V	33.6	21.4	17.3	10.1	6.02	2.48	1.69	0.93	0.50
1.80V	31.6	20.1	16.5	9.58	5.72	2.43	1.66	0.93	0.50