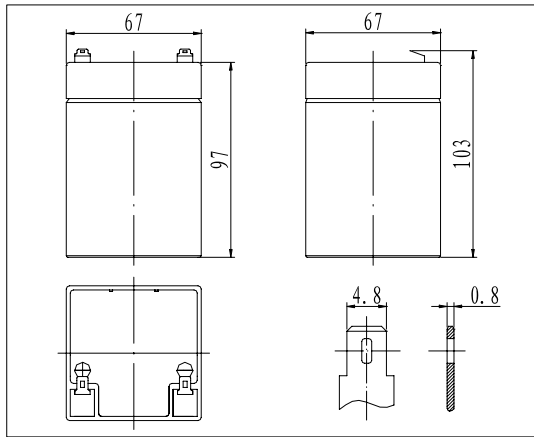
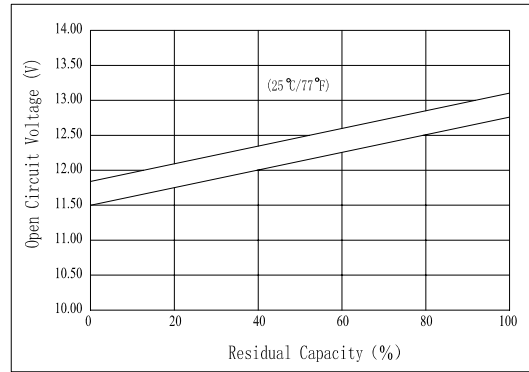


**Dimensions**



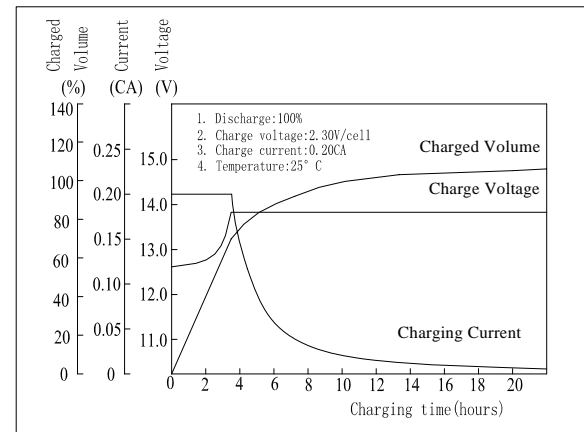
**The Relationship for Open Circuit Voltage and Residual Capacity (25°C)**



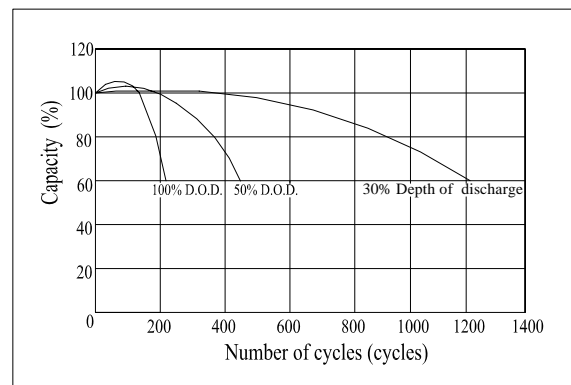
**Specifications**

Nominal Voltage	12 V	
Capacity(20HR, 25°C)	2.8Ah	
Dimension	Length	132mm (5.20inch)
	Width	33mm (1.30inch)
	Height	98mm (3.86inch)
	Total Height	104mm (4.09inch)
Approx. Weight	1.2kg (2.65lbs)	
Internal resistance (Fully charged, 25°C)	Approx. 45mΩ	
Capacity affected by temperature (20HR)	40°C	102%
	25°C	100%
	0°C	85%
	-15°C	65%
Self-discharge (25°C)	3 month	Remaining Capacity: 91%
	6 month	Remaining Capacity: 82%
	12 month	Remaining Capacity: 65%
Nominal operating temperature	25°C ± 3°C (77°F ± 5°F)	
Operating temperature range	-15°C ~ 50°C (5°F ~ 122°F)	
Float charging voltage(25°C)	13.60 to 13.80V	
Cyclic charging voltage(25°C)	14.50 to 14.90V	
Maximum charging current	0.84A	
Terminal material	Copper	
Maximum discharge current	42A(5 sec.)	

**Charging Characteristics(25°C)**



**Cycle Life(25°C)**



Note: Floating life at 20°C designed for 3 to 5 years.

- ◆ Absorbent glass mat technology;
- ◆ Recognized by UL & CE;
- ◆ ABS container.

**Constant Current Discharge Characteristics (A, 25°C)**

F.V/TIME	5min	10min	15min	30min	60min	3h	5h	10h	20h
9.60V	10.6	6.72	5.32	3.08	1.82	0.71	0.48	0.26	0.14
10.2V	10.1	6.38	5.11	2.96	1.75	0.70	0.48	0.26	0.14
10.8V	9.50	6.00	4.85	2.81	1.66	0.69	0.47	0.26	0.14

**Constant Power Discharge Characteristics (Watt, 25°C)**

F.V/TIME	5min	10min	15min	30min	60min	3h	5h	10h	20h
9.60V	119	75.8	60.6	35.3	21.1	8.44	5.77	3.14	1.71
10.2V	113	72.0	58.2	33.9	20.2	8.32	5.68	3.11	1.69
10.8V	106	67.7	55.3	32.2	19.2	8.15	5.57	3.11	1.68