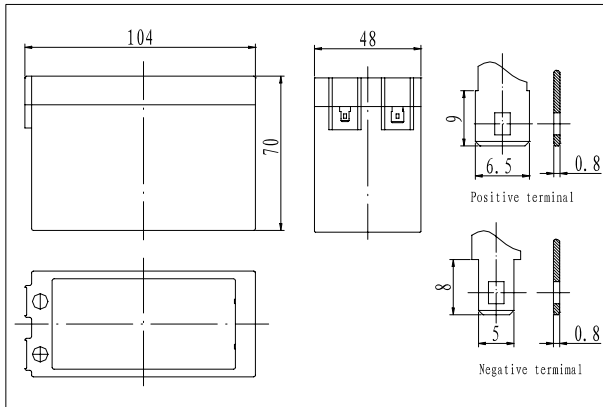


Dimensions



Specifications

Nominal Voltage	12 V	
Capacity(20HR, 25°C)	2.7 Ah	
Dimension	Length	104mm (4.09inch)
	Width	48mm (1.89inch)
	Height	70mm (2.76inch)
	Total Height	70mm (2.76inch)
Approx. Weight	0.93kg (2.05lbs)	
Internal resistance (Fully charged, 25°C)	Approx. 40mΩ	
Capacity affected by temperature (20HR)	40°C	102%
	25°C	100%
	0°C	85%
	-15°C	65%
Self-discharge (25°C)	3 month	Remaining Capacity: 91%
	6 month	Remaining Capacity: 82%
	12 month	Remaining Capacity: 65%
Nominal operating temperature	25°C ± 3°C (77°F ± 5°F)	
Operating temperature range	-15°C ~ 50°C (5°F ~ 122°F)	
Float charging voltage(25°C)	13.60 to 13.80V	
Cyclic charging voltage(25°C)	14.50 to 14.90V	
Maximum charging current	0.81A	
Terminal material	Copper	
Maximum discharge current	40A(5 sec.)	

- ◆ Absorbent glass mat technology;
- ◆ Recognized by UL & CE;
- ◆ ABS container.

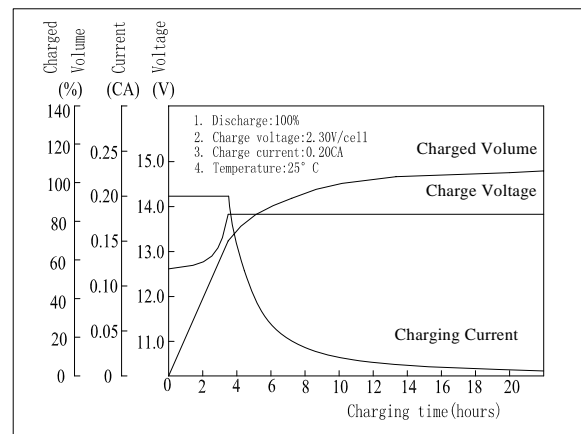
Constant Current Discharge Characteristics (A, 25°C)

F.V/TIME	5min	10min	15min	30min	60min	3h	5h	10h	20h
9.60V	12.0	7.50	5.40	3.20	1.90	0.71	0.49	0.25	0.13
10.2V	11.4	7.13	5.18	3.07	1.82	0.70	0.48	0.25	0.14
10.8V	10.7	6.70	4.92	2.92	1.73	0.69	0.47	0.25	0.13

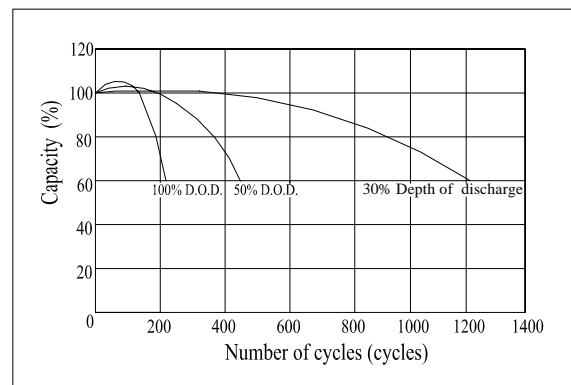
Constant Power Discharge Characteristics (Watt, 25°C)

F.V/TIME	5min	10min	15min	30min	60min	3h	5h	10h	20h
9.60V	134	84.6	61.6	36.7	22.0	8.43	5.85	3.05	1.58
10.2V	127	80.4	59.1	35.2	21.1	8.32	5.73	3.02	1.57
10.8V	119	75.6	56.1	33.5	20.0	7.20	5.61	3.02	1.56

Charging Characteristics(25°C)



Cycle Life(25°C)



Note: Floating life at 20°C designed for 3 to 5 years.