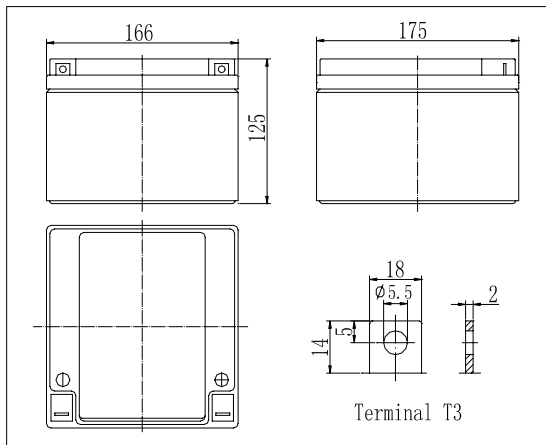
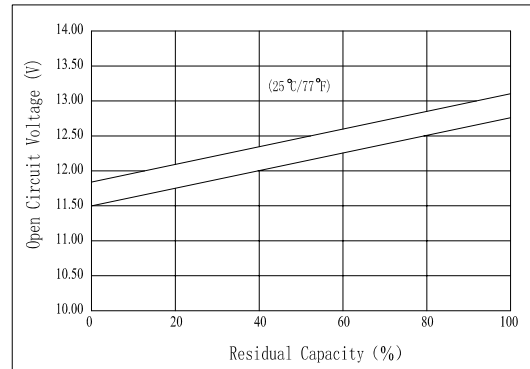


Dimensions



◆ ABS container.

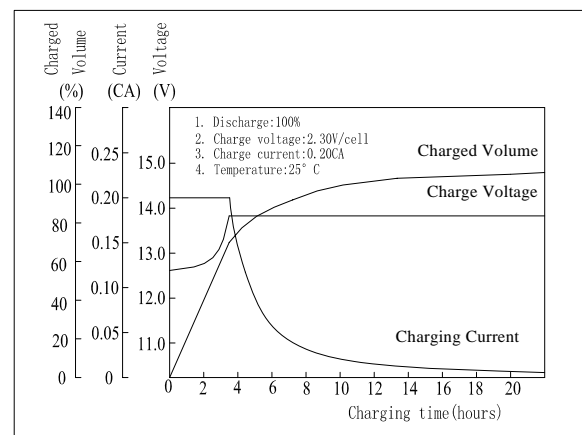
The Relationship for Open Circuit Voltage and Residual Capacity (25°C)



Specifications

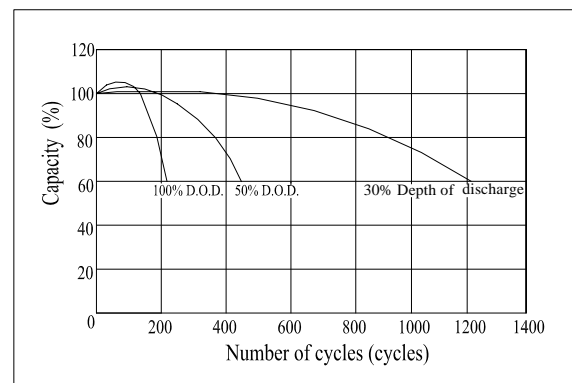
Nominal Voltage		12 V
Capacity(20HR, 25°C)		24Ah
Dimension	Length	166mm (6.54inch)
	Width	175mm (6.89inch)
	Height	125mm (4.92inch)
	Total Height	125mm (4.92inch)
Approx. Weight		8.2kg (18.1lbs)
Internal resistance (Fully charged, 25°C)		Approx. 12m Ω
Capacity affected by temperature (20HR)	40°C	102%
	25°C	100%
	0°C	85%
	-15°C	65%
Self-discharge (25°C)	3 month	Remaining Capacity: 91%
	6 month	Remaining Capacity: 82%
	12 month	Remaining Capacity: 65%
Nominal operating temperature		25°C ± 3°C (77°F ± 5°F)
Operating temperature range		-15°C ~ 50°C (5°F ~ 122°F)
Float charging voltage(25°C)		13.60 to 13.80V
Cyclic charging voltage(25°C)		14.50 to 14.90V
Maximum charging current		9.6A
Terminal material		Copper
Maximum discharge current		360A(5 sec.)

Charging Characteristics(25°C)



- ◆ Absorbent glass mat technology;
- ◆ Recognized by UL & CE;

Cycle Life(25°C)



Note: Floating life at 20°C designed for 3 to 5 years.

Constant Current Discharge Characteristics (A, 25°C)

F.V/TIME	5min	10min	15min	30min	60min	3h	5h	10h	20h
9.60V	84.0	52.8	42.0	25.2	14.4	5.85	3.90	2.19	1.22
10.2V	79.8	50.2	40.3	24.2	13.8	5.76	3.84	2.17	1.21
10.8V	75.0	47.2	38.3	23.0	13.1	5.64	3.76	2.16	1.20

Constant Power Discharge Characteristics (Watt, 25°C)

F.V/TIME	5min	10min	15min	30min	60min	3h	5h	10h	20h
9.60V	937	596	479	289	167	69.5	46.5	26.3	14.6
10.2V	891	566	460	277	160	68.4	45.8	26.1	14.5
10.8V	837	532	437	263	152	67.1	44.9	26.1	14.4

