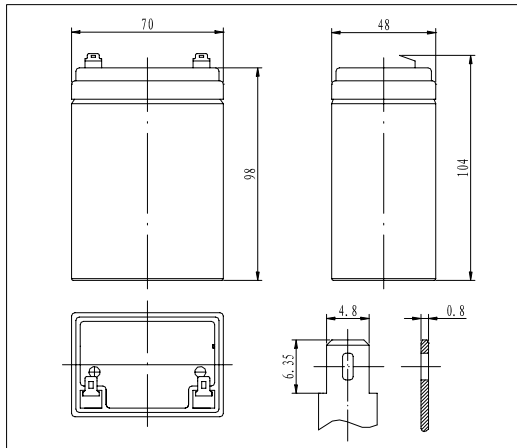
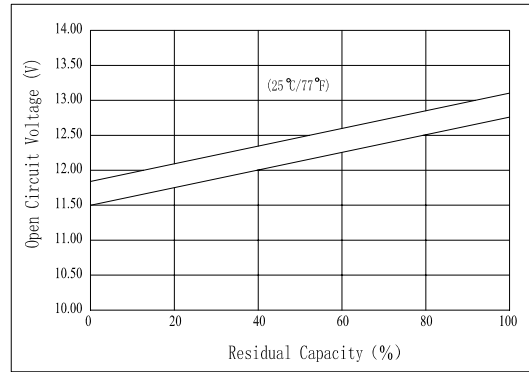


**Dimensions**



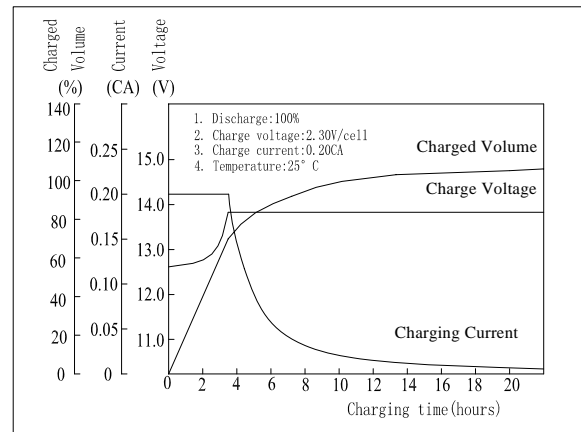
**The Relationship for Open Circuit Voltage and Residual Capacity (25°C)**



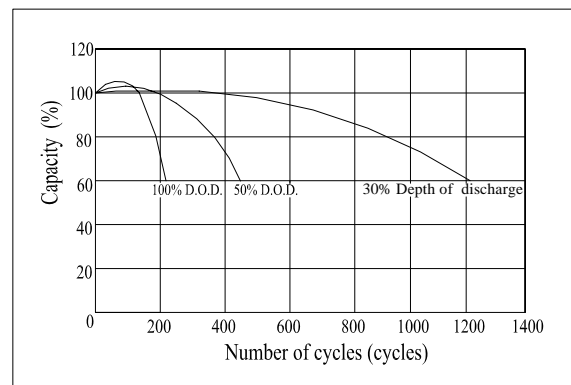
**Specifications**

Nominal Voltage	12 V	
Capacity(20HR, 25°C)	2.3Ah	
Dimension	Length	70mm (2.76inch)
	Width	48mm (1.89inch)
	Height	98mm (3.86inch)
	Total Height	104mm (4.09inch)
Approx. Weight	0.85kg (1.87lbs)	
Internal resistance (Fully charged, 25°C)	Approx. 52mΩ	
Capacity affected by temperature (20HR)	40°C	102%
	25°C	100%
	0°C	85%
	-15°C	65%
Self-discharge (25°C)	3 month	Remaining Capacity: 91%
	6 month	Remaining Capacity: 82%
	12 month	Remaining Capacity: 65%
Nominal operating temperature	25°C ± 3°C (77°F ± 5°F)	
Operating temperature range	-15°C ~ 50°C (5°F ~ 122°F)	
Float charging voltage(25°C)	13.60 to 13.80V	
Cyclic charging voltage(25°C)	14.50 to 14.90V	
Maximum charging current	0.69A	
Terminal material	Copper	
Maximum discharge current	34.5A(5 sec.)	

**Charging Characteristics(25°C)**



**Cycle Life(25°C)**



Note: Floating life at 20°C designed for 3 to 5 years.

- ◆ Absorbent glass mat technology;
- ◆ Recognized by UL & CE;
- ◆ ABS container.

**Constant Current Discharge Characteristics (A, 25°C)**

F.V/TIME	5min	10min	15min	30min	60min	3h	5h	10h	20h
9.60V	8.74	5.52	4.37	2.53	1.50	0.58	0.40	0.21	0.117
10.2V	8.30	5.24	4.20	2.43	1.44	0.58	0.39	0.21	0.116
10.8V	7.80	4.93	3.99	2.31	1.36	0.56	0.38	0.21	0.115

**Constant Power Discharge Characteristics (Watt, 25°C)**

F.V/TIME	5min	10min	15min	30min	60min	3h	5h	10h	20h
9.60V	97.5	62.3	49.8	29.0	17.3	6.93	4.74	2.58	1.40
10.2V	92.7	59.2	47.8	27.8	16.6	6.83	4.67	2.55	1.39
10.8V	87.1	55.6	45.4	26.4	15.8	6.69	4.58	2.55	1.38