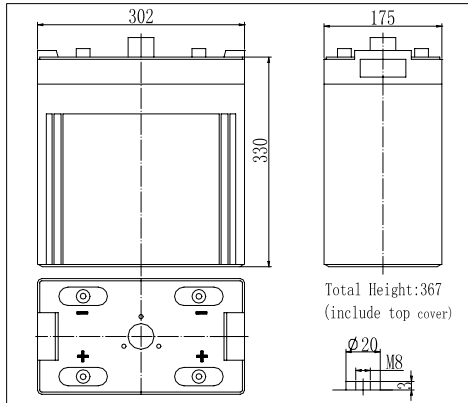
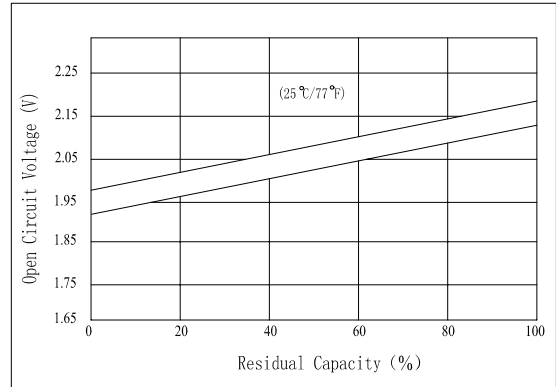


Dimensions



◆ ABS container.

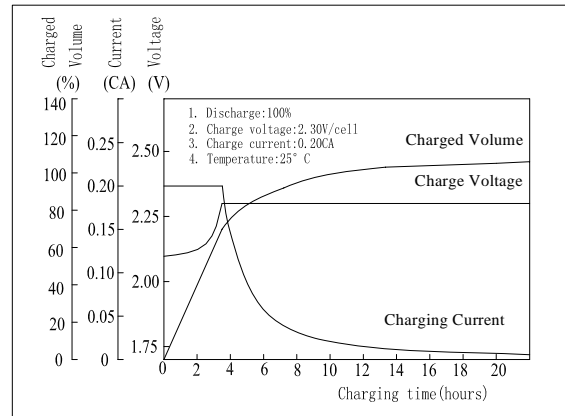
The Relationship for Open Circuit Voltage and Residual Capacity (25°C)



Specifications

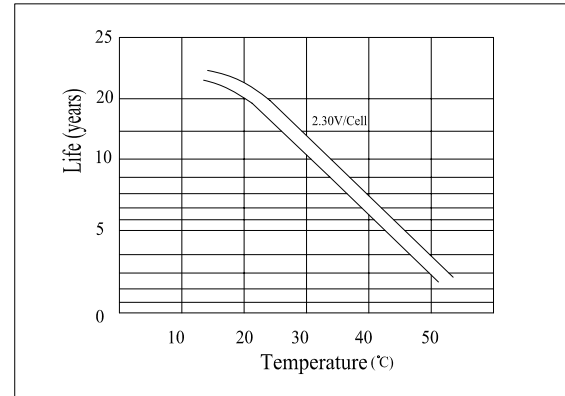
Nominal Voltage		2 V
Capacity(10HR, 25°C)		600 Ah
Dimension	Length	302mm (11.89inch)
	Width	175mm (6.89inch)
	Height	330mm (12.99inch)
	Total Height	367mm (14.45inch)
Approx. Weight		40.5kg (89.3lbs)
Internal resistance (Fully charged, 25°C)		Approx. 0.35m Ω
Capacity affected by temperature (20HR)	40°C	102%
	25°C	100%
	0°C	85%
	-15°C	65%
Self-discharge (25°C)	3 month	Remaining Capacity: 91%
	6 month	Remaining Capacity: 82%
	12 month	Remaining Capacity: 65%
Nominal operating temperature		25°C ± 3°C (77°F ± 5°F)
Operating temperature range		-15°C ~ 50°C (5°F ~ 122°F)
Float charging voltage(25°C)		2.25 to 2.30V
Cyclic charging voltage(25°C)		2.35 to 2.40V
Maximum charging current		120A
Terminal material		Copper
Maximum discharge current		4000A(5 sec.)

Charging Characteristics(25°C)



- ◆ Gelled electrolyte technology;
- ◆ AGM separator;
- ◆ Recognized by UL & CE;

Temperature Affects On Floating Life



Note: Floating life at 20°C designed for 20 years.

Constant Current Discharge Characteristics (A, 25°C)

F.V/TIME	5min	10min	15min	30min	60min	3h	5h	10h	20h
1.60V	1296	990	912	576	372	146	100	60.9	31.7
1.70V	1231	941	876	553	357	144	99	60.4	31.4
1.80V	1157	884	832	525	339	141	97	60.0	31.2

Constant Power Discharge Characteristics (Watt, 25°C)

F.V/TIME	5min	10min	15min	30min	60min	3h	5h	10h	20h
1.60V	2268	1782	1669	1077	707	286	198	121	63.3
1.70V	2155	1693	1602	1034	679	282	195	120	62.8
1.80V	2025	1591	1522	982	645	277	191	120	62.4

Note: we can produce other type gelled batteries according with clients requirements.