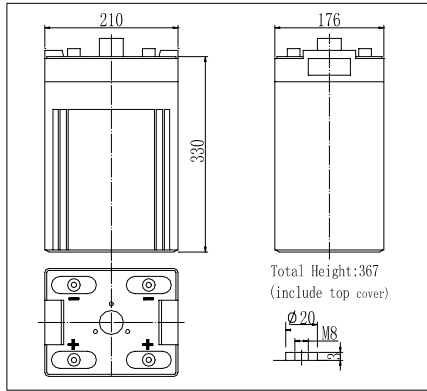
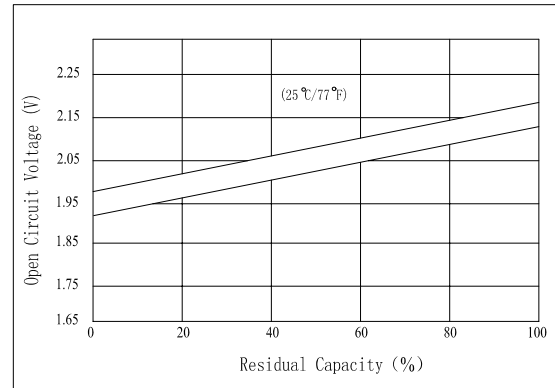


Dimensions



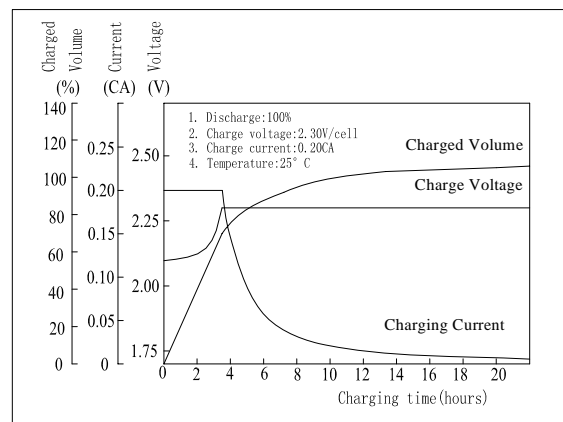
The Relationship for Open Circuit Voltage and Residual Capacity (25°C)



Specifications

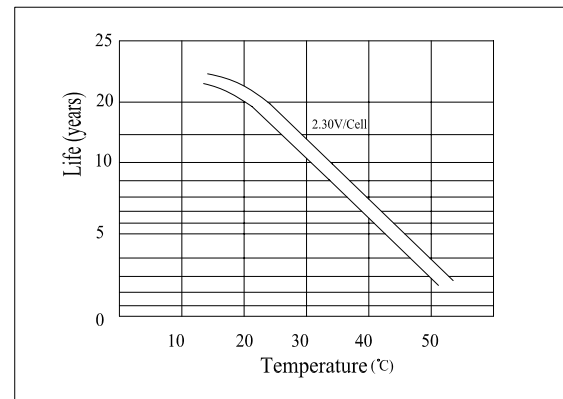
Nominal Voltage		2 V
Capacity(10HR, 25°C)		400 Ah
Dimension	Length	210mm (8.27inch)
	Width	176mm (6.93inch)
	Height	330mm (12.99inch)
	Total Height	367mm (14.45inch)
Approx. Weight		27.5kg (60.6lbs)
Internal resistance (Fully charged, 25°C)		Approx. 0.55m Ω
Capacity affected by temperature (20HR)	40°C	102%
	25°C	100%
	0°C	85%
	-15°C	65%
Self-discharge (25°C)	3 month	Remaining Capacity: 91%
	6 month	Remaining Capacity: 82%
	12 month	Remaining Capacity: 65%
Nominal operating temperature		25°C ± 3°C (77°F ± 5°F)
Operating temperature range		-15°C ~ 50°C (5°F ~ 122°F)
Float charging voltage(25°C)		2.25 to 2.30V
Cyclic charging voltage(25°C)		2.35 to 2.40V
Maximum charging current		80A
Terminal material		Copper
Maximum discharge current		2800A(5 sec.)

Charging Characteristics(25°C)



- ◆ Gelled electrolyte technology;
- ◆ AGM separator;
- ◆ Recognized by UL & CE;
- ◆ ABS container.

Temperature Affects On Floating Life



Note: Floating life at 20°C designed for 20 years.

Constant Current Discharge Characteristics (A, 25°C)

F.V/TIME	5min	10min	15min	30min	60min	3h	5h	10h	20h
1.60V	864	660	608	384	248	97.4	67.0	40.6	21.1
1.70V	821	627	584	369	238	96.0	66.0	40.2	20.9
1.80V	772	589	554	350	226	94.1	64.7	40.0	20.8

Constant Power Discharge Characteristics (Watt, 25°C)

F.V/TIME	5min	10min	15min	30min	60min	3h	5h	10h	20h
1.60V	1512	1188	1113	718	471	191	132	80.8	42.2
1.70V	1436	1129	1068	689	452	188	130	80.1	41.8
1.80V	1350	1061	1015	655	430	184	127	80.1	41.6

Note: we can produce other type gelled batteries according with clients requirements.