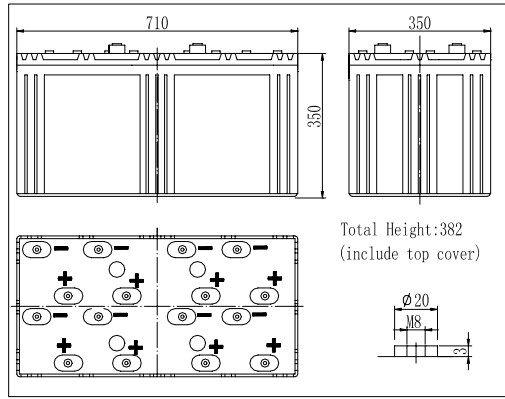
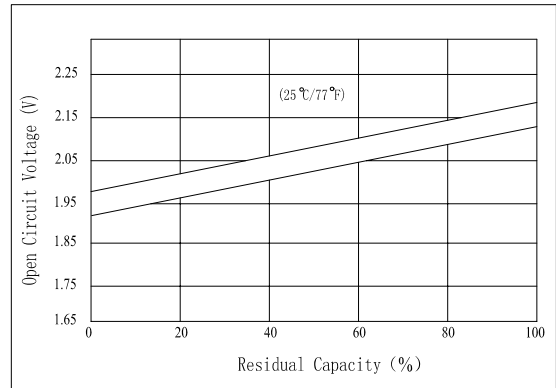


Dimensions



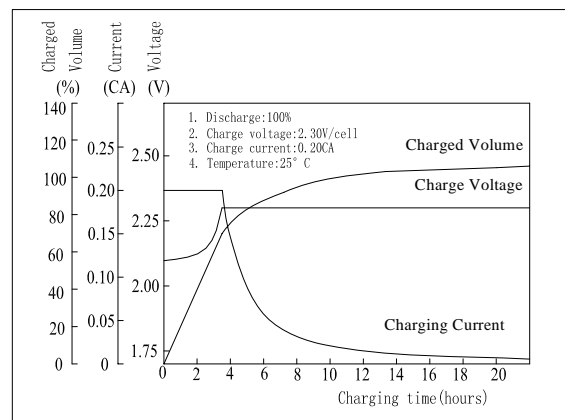
The Relationship for Open Circuit Voltage and Residual Capacity (25°C)



Specifications

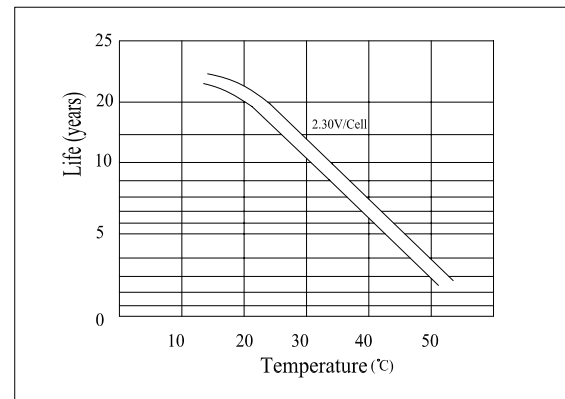
Nominal Voltage		2 V
Capacity(10HR, 25°C)		3000 Ah
Dimension	Length	710mm (27.95inch)
	Width	350mm (13.78inch)
	Height	350mm (13.78inch)
	Total Height	382mm (15.04inch)
Approx. Weight		202kg (445.4lbs)
Internal resistance (Fully charged, 25°C)		Approx. 0.12m Ω
Capacity affected by temperature (20HR)	40°C	102%
	25°C	100%
	0°C	85%
	-15°C	65%
Self-discharge (25°C)	3 month	Remaining Capacity: 91%
	6 month	Remaining Capacity: 82%
	12 month	Remaining Capacity: 65%
Nominal operating temperature		25°C ± 3°C (77°F ± 5°F)
Operating temperature range		-15°C ~ 50°C (5°F ~ 122°F)
Float charging voltage(25°C)		2.25 to 2.30V
Cyclic charging voltage(25°C)		2.35 to 2.40V
Maximum charging current		600A
Terminal material		Copper
Maximum discharge current		15000A(5 sec.)

Charging Characteristics(25°C)



- ◆ Gelled electrolyte technology;
- ◆ AGM separator;
- ◆ Recognized by UL & CE;
- ◆ ABS container.

Temperature Affects On Floating Life



Note: Floating life at 20°C designed for 20 years.

Constant Current Discharge Characteristics (A, 25°C)

F.V/TIME	5min	10min	15min	30min	60min	3h	5h	10h	20h
1.60V	6480	4950	4560	2880	1860	731	502	305	158
1.70V	6156	4703	4378	2765	1786	720	495	302	157
1.80V	5787	4420	4159	2627	1696	706	485	300	156

Constant Power Discharge Characteristics (Watt, 25°C)

F.V/TIME	5min	10min	15min	30min	60min	3h	5h	10h	20h
1.60V	11340	8910	8345	5386	3534	1432	990	606	317
1.70V	10773	8465	8011	5170	3393	1411	975	601	314
1.80V	10127	7957	7610	4912	3223	1383	956	601	312

Note: we can produce other type gelled batteries according with clients requirements.