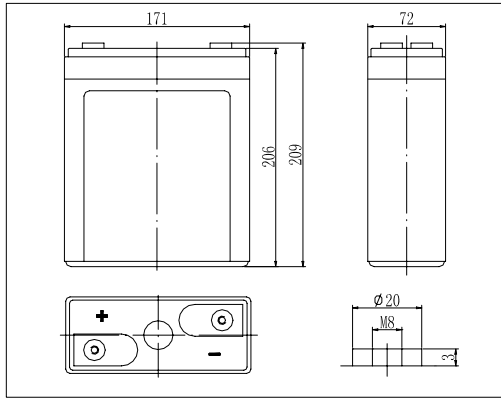


Dimensions



Specifications

Nominal Voltage		2 V
Capacity(10HR, 25°C)		100 Ah
Dimension	Length	171mm (6.73inch)
	Width	72mm (2.83inch)
	Height	206mm (8.1inch)
	Total Height	209mm (8.23inch)
Approx. Weight		7.5kg (16.5lbs)
Internal resistance (Fully charged, 25°C)		Approx. 0.99mΩ
Capacity affected by temperature (20HR)	40°C	102%
	25°C	100%
	0°C	85%
	-15°C	65%
Self-discharge (25°C)	3 month	Remaining Capacity: 91%
	6 month	Remaining Capacity: 82%
	12 month	Remaining Capacity: 65%
Nominal operating temperature		25°C ± 3°C (77°F ± 5°F)
Operating temperature range		-15°C ~ 50°C (5°F ~ 122°F)
Float charging voltage(25°C)		2.25 to 2.30V
Cyclic charging voltage(25°C)		2.35 to 2.40V
Maximum charging current		20A
Terminal material		Copper
Maximum discharge current		800A(5 sec.)

- ◆ Gelled electrolyte technology;
- ◆ AGM separator;
- ◆ Recognized by UL & CE;
- ◆ ABS container.

Constant Current Discharge Characteristics (A, 25°C)

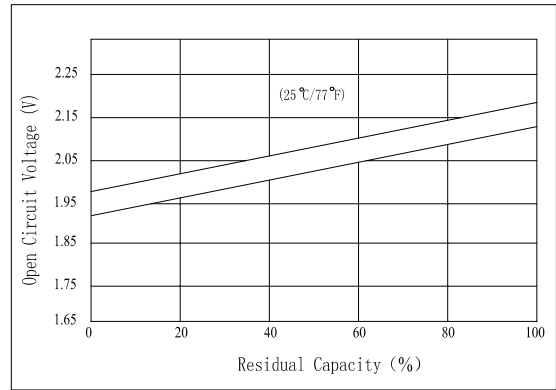
F.V/TIME	5min	10min	15min	30min	60min	3h	5h	10h	20h
1.60V	216	165	152	96.0	62.0	24.4	16.7	10.2	5.28
1.70V	205	157	146	92.2	59.5	24.0	16.5	10.1	5.23
1.80V	193	147	139	87.6	56.5	23.5	16.2	10.0	5.20

Constant Power Discharge Characteristics (Watt, 25°C)

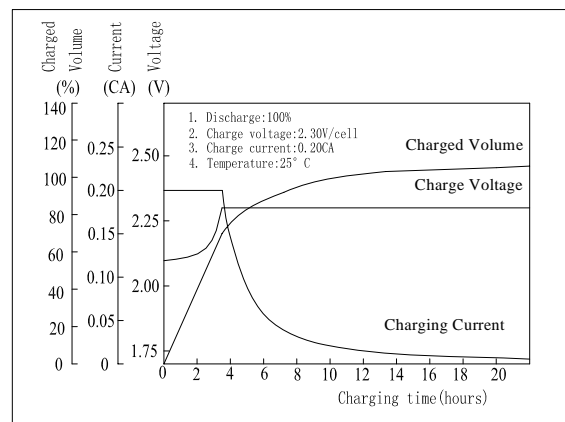
F.V/TIME	5min	10min	15min	30min	60min	3h	5h	10h	20h
1.60V	378	297	278	180	118	47.7	33.0	20.2	10.6
1.70V	359	282	267	172	113	47.0	32.5	20.0	10.5
1.80V	338	265	254	164	107	46.1	31.9	20.0	10.4

Note: we can produce other type gelled batteries according with clients requirements.

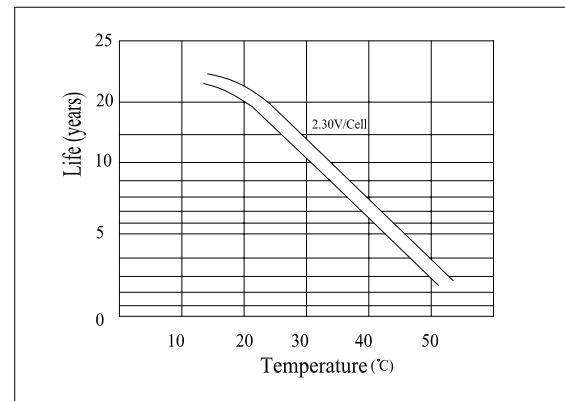
The Relationship for Open Circuit Voltage and Residual Capacity (25°C)



Charging Characteristics(25°C)



Temperature Affects On Floating Life



Note: Floating life at 20°C designed for 20 years.